

## 24-Bit High Speed 8-/16-Channel $\Delta\Sigma$ ADCs with Selectable Speed/Resolution

### FEATURES

- Up to 8 Differential or 16 Single-Ended Input Channels
- Up to 8kHz Output Rate
- Up to 4kHz Multiplexing Rate
- Selectable Speed/Resolution
- $2\mu\text{V}_{\text{RMS}}$  Noise at 1.76kHz Output Rate
- $200\text{nV}_{\text{RMS}}$  Noise at 13.8Hz Output Rate with Simultaneous 50/60Hz Rejection
- Guaranteed Modulator Stability and Lock-Up Immunity for any Input and Reference Conditions
- 0.0005% INL, No Missing Codes
- Autosleep Enables  $20\mu\text{A}$  Operation at 6.9Hz
- $<5\mu\text{V}$  Offset ( $4.5\text{V} < V_{\text{CC}} < 5.5\text{V}$ ,  $-40^\circ\text{C}$  to  $85^\circ\text{C}$ )
- Differential Input and Differential Reference with GND to  $V_{\text{CC}}$  Common Mode Range
- No Latency Mode, Each Conversion is Accurate Even After a New Channel is Selected
- Internal Oscillator—No External Components
- LTC2445/LTC2449 Include MUXOUT/ADCIN for External Buffering or Gain
- Tiny QFN 5mm x 7mm Package

### APPLICATIONS

- High Speed Multiplexing
- Weight Scales
- Auto Ranging 6-Digit DVMs
- Direct Temperature Measurement
- High Speed Data Acquisition

### DESCRIPTION

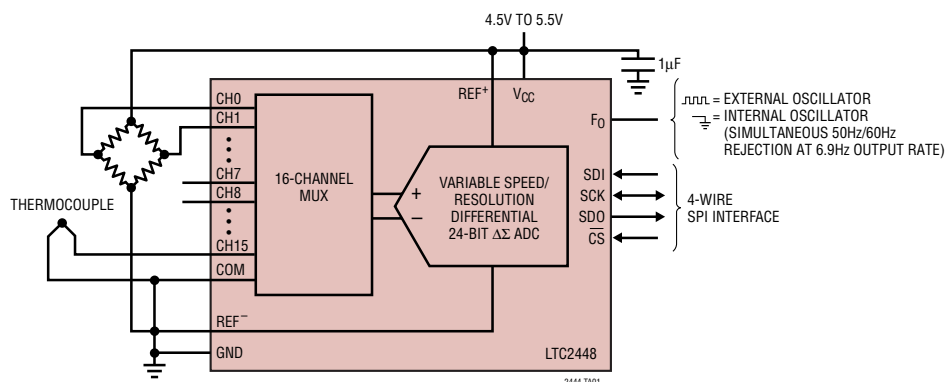
The LTC<sup>®</sup>2444/LTC2445/LTC2448/LTC2449 are 8-/16-channel (4-/8-differential) high speed 24-bit No Latency  $\Delta\Sigma^{\text{TM}}$  ADCs. They use a proprietary delta-sigma architecture enabling variable speed/resolution. Through a simple 4-wire serial interface, ten speed/resolution combinations 6.9Hz/280nV<sub>RMS</sub> to 3.5kHz/25 $\mu\text{V}_{\text{RMS}}$  (4kHz with external oscillator) can be selected with no latency between conversion results or shift in DC accuracy (offset, full-scale, linearity, drift). Additionally, a 2X speed mode can be selected enabling output rates up to 7kHz (8kHz if an external oscillator is used) with one cycle latency.

Any combination of single-ended or differential inputs can be selected with a common mode input range from ground to  $V_{\text{CC}}$ , independent of  $V_{\text{REF}}$ . While operating in the 1X speed mode the first conversion following a new speed, resolution, or channel selection is valid. Since there is no settling time between conversions, all 8 differential channels can be scanned at a rate of 500Hz. At the conclusion of each conversion, the converter is internally reset eliminating any memory effects between successive conversions and assuring stability of the high order delta-sigma modulator.

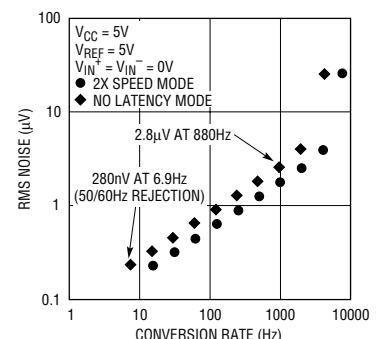
 LTC and LT are registered trademarks of Linear Technology Corporation. No Latency  $\Delta\Sigma$  is a trademark of Linear Technology Corporation.

### TYPICAL APPLICATION

Simple 24-Bit Variable Speed Data Acquisition System



LTC2444/LTC2448  
Speed vs RMS Noise



2444 TA02  
2444589fb

# LTC2444/LTC2445/ LTC2448/LTC2449

## ABSOLUTE MAXIMUM RATINGS

(Notes 1, 2)

Supply Voltage ( $V_{CC}$ ) to GND ..... -0.3V to 6V  
 Analog Input Pins Voltage  
 to GND ..... -0.3V to ( $V_{CC} + 0.3V$ )  
 Reference Input Pins Voltage  
 to GND ..... -0.3V to ( $V_{CC} + 0.3V$ )  
 Digital Input Voltage to GND ..... -0.3V to ( $V_{CC} + 0.3V$ )  
 Digital Output Voltage to GND ..... -0.3V to ( $V_{CC} + 0.3V$ )

Operating Temperature Range  
 LTC2444C/LTC2445C/  
 LTC2448C/LTC2449C ..... 0°C to 70°C  
 LTC2444I/LTC2445I/  
 LTC2448I/LTC2449I ..... -40°C to 85°C  
 Storage Temperature Range ..... -65°C to 150°C

## PACKAGE/ORDER INFORMATION

|   |   |   |   |
|---|---|---|---|
| <p>TOP VIEW</p> <p>UHF PACKAGE<br/>             38-LEAD (5mm × 7mm) PLASTIC QFN<br/> <math>T_{JMAX} = 125^{\circ}\text{C}</math>, <math>\theta_{JA} = 34^{\circ}\text{C/W}</math><br/>             EXPOSED PAD (PIN 39) IS GND<br/>             MUST BE SOLDERED TO PCB</p> | <p>ORDER PART NUMBER</p> <p>LTC2444CUHF<br/>LTC2444IUHF</p> <p>QFN PART MARKING *</p> <p>2444</p> | <p>TOP VIEW</p> <p>UHF PACKAGE<br/>             38-LEAD (5mm × 7mm) PLASTIC QFN<br/> <math>T_{JMAX} = 125^{\circ}\text{C}</math>, <math>\theta_{JA} = 34^{\circ}\text{C/W}</math><br/>             EXPOSED PAD (PIN 39) IS GND<br/>             MUST BE SOLDERED TO PCB</p> | <p>ORDER PART NUMBER</p> <p>LTC2445CUHF<br/>LTC2445IUHF</p> <p>QFN PART MARKING *</p> <p>2445</p> |
| <p>TOP VIEW</p> <p>UHF PACKAGE<br/>             38-LEAD (5mm × 7mm) PLASTIC QFN<br/> <math>T_{JMAX} = 125^{\circ}\text{C}</math>, <math>\theta_{JA} = 34^{\circ}\text{C/W}</math><br/>             EXPOSED PAD (PIN 39) IS GND<br/>             MUST BE SOLDERED TO PCB</p> | <p>ORDER PART NUMBER</p> <p>LTC2448CUHF<br/>LTC2448IUHF</p> <p>QFN PART MARKING *</p> <p>2448</p> | <p>TOP VIEW</p> <p>UHF PACKAGE<br/>             38-LEAD (5mm × 7mm) PLASTIC QFN<br/> <math>T_{JMAX} = 125^{\circ}\text{C}</math>, <math>\theta_{JA} = 34^{\circ}\text{C/W}</math><br/>             EXPOSED PAD (PIN 39) IS GND<br/>             MUST BE SOLDERED TO PCB</p> | <p>ORDER PART NUMBER</p> <p>LTC2449CUHF<br/>LTC2449IUHF</p> <p>QFN PART MARKING *</p> <p>2449</p> |
| <p><b>Order Options</b> Tape and Reel: Add #TR Lead Free: Add #PBF Lead Free Tape and Reel: Add #TRPBF<br/>             Lead Free Part Marking: <a href="http://www.linear.com/leadfree/">http://www.linear.com/leadfree/</a></p>   |   |   |   |

\*The temperature grade is identified by a label on the shipping container. Consult LTC Marketing for parts specified with wider operating temperature ranges.

2444589b

**ELECTRICAL CHARACTERISTICS** The ● denotes specifications which apply over the full operating temperature range, otherwise specifications are at  $T_A = 25^\circ\text{C}$ . (Notes 3, 4)

| PARAMETER                       | CONDITIONS  | MIN    | TYP            | MAX      | UNITS   |
|---------------------------------|---|--------|----------------|----------|---|
| Resolution (No Missing Codes)   | $0.1\text{V} \leq V_{\text{REF}} \leq V_{\text{CC}}$ , $-0.5 \cdot V_{\text{REF}} \leq V_{\text{IN}} \leq 0.5 \cdot V_{\text{REF}}$ , (Note 5)  | ●      | 24             |          | Bits  |
| Integral Nonlinearity           | $V_{\text{CC}} = 5\text{V}$ , $\text{REF}^+ = 5\text{V}$ , $\text{REF}^- = \text{GND}$ , $V_{\text{INCM}} = 2.5\text{V}$ , (Note 6)<br>$\text{REF}^+ = 2.5\text{V}$ , $\text{REF}^- = \text{GND}$ , $V_{\text{INCM}} = 1.25\text{V}$ , (Note 6)   | ●      | 5<br>3         | 15       | ppm of $V_{\text{REF}}$<br>ppm of $V_{\text{REF}}$                            |
| Offset Error                    | $2.5\text{V} \leq \text{REF}^+ \leq V_{\text{CC}}$ , $\text{REF}^- = \text{GND}$ ,<br>$\text{GND} \leq \text{IN}^+ = \text{IN}^- \leq V_{\text{CC}}$ (Note 12)  | ●      | 2.5            | 5        | $\mu\text{V}$   |
| Offset Error Drift              | $2.5\text{V} \leq \text{REF}^+ \leq V_{\text{CC}}$ , $\text{REF}^- = \text{GND}$ ,<br>$\text{GND} \leq \text{IN}^+ = \text{IN}^- \leq V_{\text{CC}}$  |        | 20             |          | $\text{nV}/^\circ\text{C}$  |
| Positive Full-Scale Error       | $\text{REF}^+ = 5\text{V}$ , $\text{REF}^- = \text{GND}$ , $\text{IN}^+ = 3.75\text{V}$ , $\text{IN}^- = 1.25\text{V}$<br>$\text{REF}^+ = 2.5\text{V}$ , $\text{REF}^- = \text{GND}$ , $\text{IN}^+ = 1.875\text{V}$ , $\text{IN}^- = 0.625\text{V}$  | ●<br>● | 10<br>10       | 50<br>50 | ppm of $V_{\text{REF}}$<br>ppm of $V_{\text{REF}}$                            |
| Positive Full-Scale Error Drift | $2.5\text{V} \leq \text{REF}^+ \leq V_{\text{CC}}$ , $\text{REF}^- = \text{GND}$ ,<br>$\text{IN}^+ = 0.75 \cdot \text{REF}^+$ , $\text{IN}^- = 0.25 \cdot \text{REF}^+$   |        | 0.2            |          | ppm of $V_{\text{REF}}/^\circ\text{C}$  |
| Negative Full-Scale Error       | $\text{REF}^+ = 5\text{V}$ , $\text{REF}^- = \text{GND}$ , $\text{IN}^+ = 1.25\text{V}$ , $\text{IN}^- = 3.75\text{V}$<br>$\text{REF}^+ = 2.5\text{V}$ , $\text{REF}^- = \text{GND}$ , $\text{IN}^+ = 0.625\text{V}$ , $\text{IN}^- = 1.875\text{V}$  | ●<br>● | 10<br>10       | 50<br>50 | ppm of $V_{\text{REF}}$<br>ppm of $V_{\text{REF}}$                            |
| Negative Full-Scale Error Drift | $2.5\text{V} \leq \text{REF}^+ \leq V_{\text{CC}}$ , $\text{REF}^- = \text{GND}$ ,<br>$\text{IN}^+ = 0.25 \cdot \text{REF}^+$ , $\text{IN}^- = 0.75 \cdot \text{REF}^+$   |        | 0.2            |          | ppm of $V_{\text{REF}}/^\circ\text{C}$  |
| Total Unadjusted Error          | $5\text{V} \leq V_{\text{CC}} \leq 5.5\text{V}$ , $\text{REF}^+ = 2.5\text{V}$ , $\text{REF}^- = \text{GND}$ , $V_{\text{INCM}} = 1.25\text{V}$<br>$5\text{V} \leq V_{\text{CC}} \leq 5.5\text{V}$ , $\text{REF}^+ = 5\text{V}$ , $\text{REF}^- = \text{GND}$ , $V_{\text{INCM}} = 2.5\text{V}$<br>$\text{REF}^+ = 2.5\text{V}$ , $\text{REF}^- = \text{GND}$ , $V_{\text{INCM}} = 1.25\text{V}$ , (Note 6) |        | 15<br>15<br>15 |          | ppm of $V_{\text{REF}}$<br>ppm of $V_{\text{REF}}$<br>ppm of $V_{\text{REF}}$ |
| Input Common Mode Rejection DC  | $2.5\text{V} \leq \text{REF}^+ \leq V_{\text{CC}}$ , $\text{REF}^- = \text{GND}$ ,<br>$\text{GND} \leq \text{IN}^- = \text{IN}^+ \leq V_{\text{CC}}$  |        | 120            |          | dB  |

**ANALOG INPUT AND REFERENCE** The ● denotes specifications which apply over the full operating temperature range, otherwise specifications are at  $T_A = 25^\circ\text{C}$ . (Note 3)

| SYMBOL  | PARAMETER  | CONDITIONS   | MIN | TYP                              | MAX                           | UNITS |    |
|---|--|--|-----|----------------------------------|-------------------------------|-------|----|
| $\text{IN}^+$   | Absolute/Common Mode $\text{IN}^+$ Voltage                             |  | ●   | $\text{GND} - 0.3\text{V}$       | $V_{\text{CC}} + 0.3\text{V}$ | V     |    |
| $\text{IN}^-$   | Absolute/Common Mode $\text{IN}^-$ Voltage                             |  | ●   | $\text{GND} - 0.3\text{V}$       | $V_{\text{CC}} + 0.3\text{V}$ | V     |    |
| $V_{\text{IN}}$   | Input Differential Voltage Range ( $\text{IN}^+ - \text{IN}^-$ )       |  | ●   | $-V_{\text{REF}}/2$              | $V_{\text{REF}}/2$            | V     |    |
| $\text{REF}^+$  | Absolute/Common Mode $\text{REF}^+$ Voltage                            |  | ●   | 0.1                              | $V_{\text{CC}}$               | V     |    |
| $\text{REF}^-$  | Absolute/Common Mode $\text{REF}^-$ Voltage                            |  | ●   | GND                              | $V_{\text{CC}} - 0.1\text{V}$ | V     |    |
| $V_{\text{REF}}$  | Reference Differential Voltage Range ( $\text{REF}^+ - \text{REF}^-$ ) |  | ●   | 0.1                              | $V_{\text{CC}}$               | V     |    |
| $C_{\text{S}}(\text{IN}^+)$   | $\text{IN}^+$ Sampling Capacitance                                     |  |     | 2                                |                               | pF    |    |
| $C_{\text{S}}(\text{IN}^-)$   | $\text{IN}^-$ Sampling Capacitance                                     |  |     | 2                                |                               | pF    |    |
| $C_{\text{S}}(\text{REF}^+)$  | $\text{REF}^+$ Sampling Capacitance                                    |  |     | 2                                |                               | pF    |    |
| $C_{\text{S}}(\text{REF}^-)$  | $\text{REF}^-$ Sampling Capacitance                                    |  |     | 2                                |                               | pF    |    |
| $I_{\text{DC\_LEAK}}(\text{IN}^+, \text{IN}^-, \text{REF}^+, \text{REF}^-)$ | Leakage Current, Inputs and Reference                                  | $\overline{\text{CS}} = V_{\text{CC}}$ , $\text{IN}^+ = \text{GND}$ , $\text{IN}^- = \text{GND}$ ,<br>$\text{REF}^+ = 5\text{V}$ , $\text{REF}^- = \text{GND}$ | ●   | -15                              | 1                             | 15    | nA |
| $I_{\text{SAMPLE}}(\text{IN}^+, \text{IN}^-, \text{REF}^+, \text{REF}^-)$   | Average Input/Reference Current During Sampling                        |  |     | Varies, See Applications Section |                               | nA    |    |
| $t_{\text{OPEN}}$   | MUX Break-Before-Make  |  |     | 50                               |                               | ns    |    |
| QIRR  | MUX Off Isolation  | $V_{\text{IN}} = 2V_{\text{P-P}}$ DC to 1.8MHz   |     | 120                              |                               | dB    |    |

# LTC2444/LTC2445/ LTC2448/LTC2449

## DIGITAL INPUTS AND DIGITAL OUTPUTS

The ● denotes specifications which apply over the full operating temperature range, otherwise specifications are at  $T_A = 25^\circ\text{C}$ . (Note 3)

| SYMBOL   | PARAMETER  | CONDITIONS  | MIN                      | TYP | MAX  | UNITS         |
|----------|--|---|--------------------------|-----|------|---------------|
| $V_{IH}$ | High Level Input Voltage<br>CS, F <sub>0</sub>         | $4.5\text{V} \leq V_{CC} \leq 5.5\text{V}$          | ● 2.5                    |     |      | V             |
| $V_{IL}$ | Low Level Input Voltage<br>CS, F <sub>0</sub>          | $4.5\text{V} \leq V_{CC} \leq 5.5\text{V}$          | ●                        |     | 0.8  | V             |
| $V_{IH}$ | High Level Input Voltage<br>SCK                        | $4.5\text{V} \leq V_{CC} \leq 5.5\text{V}$ (Note 8) | ● 2.5                    |     |      | V             |
| $V_{IL}$ | Low Level Input Voltage<br>SCK                         | $4.5\text{V} \leq V_{CC} \leq 5.5\text{V}$ (Note 8) | ●                        |     | 0.8  | V             |
| $I_{IN}$ | Digital Input Current<br>CS, F <sub>0</sub> , EXT, SOI | $0\text{V} \leq V_{IN} \leq V_{CC}$                 | ● -10                    |     | 10   | $\mu\text{A}$ |
| $I_{IN}$ | Digital Input Current<br>SCK                           | $0\text{V} \leq V_{IN} \leq V_{CC}$ (Note 8)        | ● -10                    |     | 10   | $\mu\text{A}$ |
| $C_{IN}$ | Digital Input Capacitance<br>CS, F <sub>0</sub>        |   |                          | 10  |      | pF            |
| $C_{IN}$ | Digital Input Capacitance<br>SCK                       | (Note 8)  |                          | 10  |      | pF            |
| $V_{OH}$ | High Level Output Voltage<br>SDO, BUSY                 | $I_O = -800\mu\text{A}$                             | ● $V_{CC} - 0.5\text{V}$ |     |      | V             |
| $V_{OL}$ | Low Level Output Voltage<br>SDO, BUSY                  | $I_O = 1.6\text{mA}$                                | ●                        |     | 0.4V | V             |
| $V_{OH}$ | High Level Output Voltage<br>SCK                       | $I_O = -800\mu\text{A}$ (Note 9)                    | ● $V_{CC} - 0.5\text{V}$ |     |      | V             |
| $V_{OL}$ | Low Level Output Voltage<br>SCK                        | $I_O = 1.6\text{mA}$ (Note 9)                       | ●                        |     | 0.4V | V             |
| $I_{OZ}$ | Hi-Z Output Leakage<br>SDO                             |   | ● -10                    |     | 10   | $\mu\text{A}$ |

## POWER REQUIREMENTS

The ● denotes specifications which apply over the full operating temperature range, otherwise specifications are at  $T_A = 25^\circ\text{C}$ . (Note 3)

| SYMBOL   | PARAMETER       | CONDITIONS                                  | MIN   | TYP | MAX | UNITS         |
|----------|-----------------|---|-------|-----|-----|---------------|
| $V_{CC}$ | Supply Voltage  |   | ● 4.5 |     | 5.5 | V             |
| $I_{CC}$ | Supply Current  |   |       |     |     |               |
|          | Conversion Mode | $\overline{\text{CS}} = 0\text{V}$ (Note 7) | ●     | 8   | 11  | mA            |
|          | Sleep Mode      | $\overline{\text{CS}} = V_{CC}$ (Note 7)    | ●     | 8   | 30  | $\mu\text{A}$ |

## TIMING CHARACTERISTICS

The ● denotes specifications which apply over the full operating temperature range, otherwise specifications are at  $T_A = 25^\circ\text{C}$ . (Note 3)

| SYMBOL     | PARAMETER                           | CONDITIONS                         | MIN    | TYP  | MAX   | UNITS |
|------------|-------------------------------------|------------------------------------|--------|--|-------|-------|
| $f_{EOSC}$ | External Oscillator Frequency Range |                                    | ● 0.1  |  | 20    | MHz   |
| $t_{HEO}$  | External Oscillator High Period     |                                    | ● 25   |  | 10000 | ns    |
| $t_{LEO}$  | External Oscillator Low Period      |                                    | ● 25   |  | 10000 | ns    |
| $t_{CONV}$ | Conversion Time                     | OSR = 256 (SDI = 0)                | ● 0.99 | 1.13   | 1.33  | ms    |
|            |                                     | OSR = 32768 (SDI = 1)              | ● 126  | 145  | 170   | ms    |
|            |                                     | External Oscillator (Notes 10, 13) | ●      | $\frac{40 \cdot \text{OSR} + 170}{f_{EOSC} \text{ (kHz)}}$ |       | ms    |
| $f_{ISCK}$ | Internal SCK Frequency              | Internal Oscillator (Note 9)       | ● 0.8  | 0.9  | 1     | MHz   |
|            |                                     | External Oscillator (Notes 9, 10)  |        | $f_{EOSC}/10$  |       | Hz    |

2444589fb

## TIMING CHARACTERISTICS

The ● denotes specifications which apply over the full operating temperature range, otherwise specifications are at  $T_A = 25^\circ\text{C}$ . (Note 3)

| SYMBOL                  | PARAMETER                                  | CONDITIONS   | MIN    | TYP                                    | MAX  | UNITS              |
|-------------------------|--|--|--------|--|------|--------------------|
| $D_{\text{ISCK}}$       | Internal SCK Duty Cycle                    | (Note 9)   | ●      | 45                                     | 55   | %                  |
| $f_{\text{ESCK}}$       | External SCK Frequency Range               | (Note 8)   | ●      |  | 20   | MHz                |
| $t_{\text{LESCK}}$      | External SCK Low Period                    | (Note 8)   | ●      | 25                                     |      | ns                 |
| $t_{\text{HESCK}}$      | External SCK High Period                   | (Note 8)   | ●      | 25                                     |      | ns                 |
| $t_{\text{DOUT\_ISCK}}$ | Internal SCK 32-Bit Data Output Time       | Internal Oscillator (Notes 9, 11)<br>External Oscillator (Notes 9, 10) | ●<br>● | 41.6<br>35.3<br>320/ $f_{\text{EOSC}}$ | 30.9 | $\mu\text{s}$<br>s |
| $t_{\text{DOUT\_ESCK}}$ | External SCK 32-Bit Data Output Time       | (Note 8)   | ●      | 32/ $f_{\text{ESCK}}$                  |      | s                  |
| $t_1$                   | $\overline{\text{CS}}$ ↓ to SDO Low Z      | (Note 12)  | ●      | 0                                      | 25   | ns                 |
| $t_2$                   | $\overline{\text{CS}}$ ↑ to SDO High Z     | (Note 12)  | ●      | 0                                      | 25   | ns                 |
| $t_3$                   | $\overline{\text{CS}}$ ↓ to SCK ↓          | (Note 9)   |        | 5                                      |      | $\mu\text{s}$      |
| $t_4$                   | $\overline{\text{CS}}$ ↓ to SCK ↑          | (Notes 8, 12)  | ●      | 25                                     |      | ns                 |
| $t_{\text{KQMAX}}$      | SCK ↓ to SDO Valid                         |  | ●      |  | 25   | ns                 |
| $t_{\text{KQMIN}}$      | SDO Hold After SCK ↓                       | (Note 5)   | ●      | 15                                     |      | ns                 |
| $t_5$                   | SCK Set-Up Before $\overline{\text{CS}}$ ↓ |  | ●      | 50                                     |      | ns                 |
| $t_6$                   | SCK Hold After $\overline{\text{CS}}$ ↓    |  | ●      |  | 50   | ns                 |
| $t_7$                   | SDI Set-Up Before SCK ↑                    | (Note 5)   | ●      | 10                                     |      | ns                 |
| $t_8$                   | SDI Hold After SCK ↑                       | (Note 5)   | ●      | 10                                     |      | ns                 |

**Note 1:** Absolute Maximum Ratings are those values beyond which the life of the device may be impaired.

**Note 2:** All voltage values are with respect to GND.

**Note 3:**  $V_{\text{CC}} = 4.5\text{V}$  to  $5.5\text{V}$  unless otherwise specified.

$V_{\text{REF}} = \text{REF}^+ - \text{REF}^-$ ,  $V_{\text{REFCM}} = (\text{REF}^+ + \text{REF}^-)/2$ ;

$V_{\text{IN}} = \text{IN}^+ - \text{IN}^-$ ,  $V_{\text{INCM}} = (\text{IN}^+ + \text{IN}^-)/2$ .

**Note 4:**  $F_0$  pin tied to GND or to external conversion clock source with  $f_{\text{EOSC}} = 10\text{MHz}$  unless otherwise specified.

**Note 5:** Guaranteed by design, not subject to test.

**Note 6:** Integral nonlinearity is defined as the deviation of a code from a straight line passing through the actual endpoints of the transfer curve. The deviation is measured from the center of the quantization band.

**Note 7:** The converter uses the internal oscillator.

**Note 8:** The converter is in external SCK mode of operation such that the SCK pin is used as a digital input. The frequency of the clock signal driving SCK during the data output is  $f_{\text{ESCK}}$  and is expressed in Hz.

**Note 9:** The converter is in internal SCK mode of operation such that the SCK pin is used as a digital output. In this mode of operation, the SCK pin has a total equivalent load capacitance of  $C_{\text{LOAD}} = 20\text{pF}$ .

**Note 10:** The external oscillator is connected to the  $F_0$  pin. The external oscillator frequency,  $f_{\text{EOSC}}$ , is expressed in Hz.

**Note 11:** The converter uses the internal oscillator.  $F_0 = 0\text{V}$ .

**Note 12:** Guaranteed by design and test correlation.

**Note 13:** There is an internal reset that adds an additional  $1\mu\text{s}$  (typ) to the conversion time.

## PIN FUNCTIONS

**GND (Pins 1, 4, 5, 6, 31, 32, 33):** Ground. Multiple ground pins internally connected for optimum ground current flow and  $V_{\text{CC}}$  decoupling. Connect each one of these pins to a common ground plane through a low impedance connection. All 7 pins must be connected to ground for proper operation.

**BUSY (Pin 2):** Conversion in Progress Indicator. This pin is HIGH while the conversion is in progress and goes LOW indicating the conversion is complete and data is ready. It remains LOW during the sleep and data output states. At the conclusion of the data output state, it goes HIGH indicating a new conversion has begun.

**$\overline{\text{EXT}}$  (Pin 3):** Internal/External SCK Selection Pin. This pin is used to select internal or external SCK for outputting/ inputting data. If  $\overline{\text{EXT}}$  is tied low, the device is in the external SCK mode and data is shifted out of the device under the control of a user applied serial clock. If  $\overline{\text{EXT}}$  is tied high, the internal serial clock mode is selected. The device generates its own SCK signal and outputs this on the SCK pin. A framing signal BUSY (Pin 2) goes low indicating data is being output.

**COM (Pin 7):** The common negative input ( $\text{IN}^-$ ) for all single ended multiplexer configurations. The voltage on  $\text{CH0-CH15}$  and COM pins can have any value between

## PIN FUNCTIONS

GND – 0.3V to  $V_{CC} + 0.3V$ . Within these limits, the two selected inputs ( $IN^+$  and  $IN^-$ ) provide a bipolar input range ( $V_{IN} = IN^+ - IN^-$ ) from  $-0.5 \cdot V_{REF}$  to  $0.5 \cdot V_{REF}$ . Outside this input range, the converter produces unique over-range and under-range output codes.

**CH0 to CH15 (Pins 8-23):** LTC2448/LTC2449 Analog Inputs. May be programmed for single-ended or differential mode.

**CH0 to CH7 (Pins 9, 10, 13, 14, 17, 18, 21, 22):** LTC2444/LTC2445 Analog Inputs. May be programmed for single-ended or differential mode.

**NC (Pins 8, 11, 12, 15, 16, 19, 20, 23):** LTC2444/LTC2445 No Connect/Channel Isolation Shield. May be left floating or tied to any voltage 0 to  $V_{CC}$  in order to provide isolation for pairs of differential input channels.

**NC (Pins 24, 25, 26, 27):** LTC2444/LTC2448 No Connect. These pins can either be tied to ground or left floating.

**MUXOUTP (Pin 24):** LTC2445/LTC2449 Positive Multiplexer Output. Used to drive the input to an external buffer/amplifier.

**ADCINP (Pin 25):** LTC2445/LTC2449 Positive ADC Input. Tie to output of buffer/amplifier driven by MUXOUTP.

**ADCINN (Pin 26):** LTC2445/LTC2449 Negative ADC Input. Tie to output of buffer/amplifier driven by MUXOUTN.

**MUXOUTN (Pin 27):** LTC2445/LTC2449 Negative Multiplexer Output. Used to drive the input to an external buffer/amplifier.

**$V_{CC}$  (Pin 28):** Positive Supply Voltage. Bypass to GND with a  $10\mu F$  tantalum capacitor in parallel with a  $0.1\mu F$  ceramic capacitor as close to the part as possible.

**REF+ (Pin 29), REF- (Pin 30):** Differential Reference Input. The voltage on these pins can have any value between GND and  $V_{CC}$  as long as the reference positive input, REF+, is maintained more positive than the negative reference input, REF-, by at least 0.1V.

**SDI (Pin 34):** Serial Data Input. This pin is used to select the speed, 1X or 2X mode, resolution, and input channel, for the next conversion cycle. At initial power up, the default mode of operation is CH0-CH1, OSR of 256, and 1X mode. The serial data input contains an enable bit which

determines if a new channel/speed is selected. If this bit is low the following conversion remains at the same speed and selected channel. The serial data input is applied to the device under control of the serial clock (SCK) during the data output cycle. The first conversion following a new channel/speed is valid.

**F<sub>0</sub> (Pin 35):** Frequency Control Pin. Digital input that controls the internal conversion clock. When F<sub>0</sub> is connected to  $V_{CC}$  or GND, the converter uses its internal oscillator running at 9MHz. The conversion rate is determined by the selected OSR such that  $t_{CONV} (ms) = 40 \cdot OSR + 170/f_{OSC} (kHz)$ . The first digital filter null is located at  $8/t_{CONV}$ , 7kHz at OSR = 256 and 55Hz (Simultaneous 50/60Hz) at OSR = 32768. This pin may be driven with a maximum external clock of 10.24MHz resulting in a maximum 8kHz output rate (OSR = 64, 2X Mode).

**CS (Pin 36):** Active Low Chip Select. A LOW on this pin enables the SDO digital output and wakes up the ADC. Following each conversion the ADC automatically enters the sleep mode and remains in this low power state as long as CS is HIGH. A LOW-to-HIGH transition on CS during the Data Output aborts the data transfer and starts a new conversion.

**SDO (Pin 37):** Three-State Digital Output. During the data output period, this pin is used as serial data output. When the chip select CS is HIGH ( $CS = V_{CC}$ ) the SDO pin is in a high impedance state. During the conversion and sleep periods, this pin is used as the conversion status output. The conversion status can be observed by pulling CS LOW. This signal is HIGH while the conversion is in progress and goes LOW once the conversion is complete.

**SCK (Pin 38):** Bidirectional Digital Clock Pin. In internal serial clock operation mode, SCK is used as a digital output for the internal serial interface clock during the data output period. In the external serial clock operation mode, SCK is used as the digital input for the external serial interface clock during the data output period. The serial clock operation mode is determined by the logic level applied to the EXT pin.

**Exposed Pad (Pin 39):** Ground. The exposed pad on the bottom of the package must be soldered to the PCB ground. For prototyping purposes, this pin may remain floating.

## FUNCTIONAL BLOCK DIAGRAM

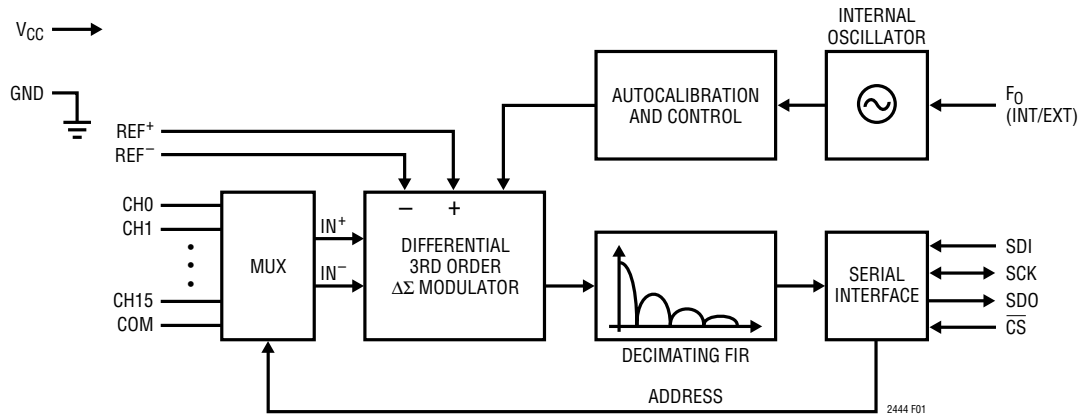


Figure 1. Functional Block Diagram

## TEST CIRCUITS



## APPLICATIONS INFORMATION

### CONVERTER OPERATION

#### Converter Operation Cycle

The LTC2444/LTC2445/LTC2448/LTC2449 are multi-channel, high speed, delta-sigma analog-to-digital converters with an easy to use 3- or 4-wire serial interface (see Figure 1). Their operation is made up of three states. The converter operating cycle begins with the conversion, followed by the low power sleep state and ends with the data output/input (see Figure 2). The 4-wire interface consists of serial data input (SDI), serial data output (SDO), serial clock (SCK) and chip select (CS). The interface, timing, operation cycle and data out format is compatible with Linear's entire family of  $\Delta\Sigma$  converters.

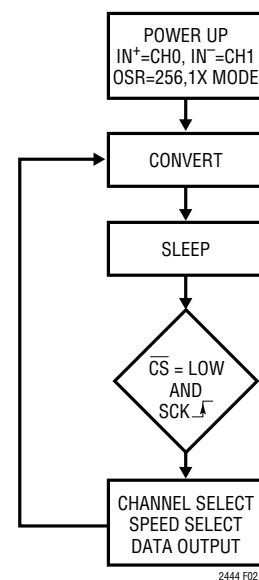


Figure 2. LTC2444/LTC2445/LTC2448/LTC2449 State Transition Diagram

## APPLICATIONS INFORMATION

Initially, the LTC2444/LTC2445/LTC2448/LTC2449 perform a conversion. Once the conversion is complete, the device enters the sleep state. While in this sleep state, power consumption is reduced below  $10\mu\text{A}$ . The part remains in the sleep state as long as  $\overline{\text{CS}}$  is HIGH. The conversion result is held indefinitely in a static shift register while the converter is in the sleep state.

Once  $\overline{\text{CS}}$  is pulled LOW, the device begins outputting the conversion result. There is no latency in the conversion result while operating in the 1x mode. The data output corresponds to the conversion just performed. This result is shifted out on the serial data out pin (SDO) under the control of the serial clock (SCK). Data is updated on the falling edge of SCK allowing the user to reliably latch data on the rising edge of SCK (see Figure 3). The data output state is concluded once 32 bits are read out of the ADC or when  $\overline{\text{CS}}$  is brought HIGH. The device automatically initiates a new conversion and the cycle repeats.

Through timing control of the  $\overline{\text{CS}}$ , SCK and  $\overline{\text{EXT}}$  pins, the LTC2444/LTC2445/LTC2448/LTC2449 offer several flexible modes of operation (internal or external SCK). These various modes do not require programming configuration registers; moreover, they do not disturb the cyclic operation described above. These modes of operation are described in detail in the Serial Interface Timing Modes section.

### Ease of Use

The LTC2444/LTC2445/LTC2448/LTC2449 data output has no latency, filter settling delay or redundant data associated with the conversion cycle while operating in the 1X mode. There is a one-to-one correspondence between the conversion and the output data. Therefore, multiplexing multiple analog voltages is easy. Speed/resolution adjustments may be made seamlessly between two conversions without settling errors.

The LTC2444/LTC2445/LTC2448/LTC2449 perform offset and full-scale calibrations every conversion cycle. This calibration is transparent to the user and has no effect on the cyclic operation described above. The advantage of continuous calibration is extreme stability of offset and full-scale readings with respect to time, supply voltage change and temperature drift.

### Power-Up Sequence

The LTC2444/LTC2445/LTC2448/LTC2449 automatically enter an internal reset state when the power supply voltage  $V_{\text{CC}}$  drops below approximately 2.2V. This feature guarantees the integrity of the conversion result and of the serial interface mode selection.

When the  $V_{\text{CC}}$  voltage rises above this critical threshold, the converter creates an internal power-on-reset (POR) signal with a duration of approximately 0.5ms. The POR signal clears all internal registers. The conversion immediately following a POR is performed on the input channel  $\text{IN}^+ = \text{CH0}$ ,  $\text{IN}^- = \text{CH1}$  at an  $\text{OSR} = 256$  in the 1X mode. Following the POR signal, the LTC2444/LTC2445/LTC2448/LTC2449 start a normal conversion cycle and follow the succession of states described above. The first conversion result following POR is accurate within the specifications of the device if the power supply voltage is restored within the operating range (4.5V to 5.5V) before the end of the POR time interval.

### Reference Voltage Range

These converters accept a truly differential external reference voltage. The absolute/common mode voltage specification for the  $\text{REF}^+$  and  $\text{REF}^-$  pins covers the entire range from GND to  $V_{\text{CC}}$ . For correct converter operation, the  $\text{REF}^+$  pin must always be more positive than the  $\text{REF}^-$  pin.

The LTC2444/LTC2445/LTC2448/LTC2449 can accept a differential reference voltage from 0.1V to  $V_{\text{CC}}$ . The converter output noise is determined by the thermal noise of the front-end circuits, and as such, its value in microvolts is nearly constant with reference voltage. A decrease in reference voltage will not significantly improve the converter's effective resolution. On the other hand, a reduced reference voltage will improve the converter's overall INL performance.

### Input Voltage Range

The analog input is truly differential with an absolute/common mode range for the  $\text{CH0}$ - $\text{CH15}$  and COM input pins extending from  $\text{GND} - 0.3\text{V}$  to  $V_{\text{CC}} + 0.3\text{V}$ . Outside these limits, the ESD protection devices begin to turn on and the errors due to input leakage current increase rapidly. Within these limits, the LTC2444/LTC2445/



## APPLICATIONS INFORMATION

LTC2448/LTC2449 convert the bipolar differential input signal,  $V_{IN} = IN^+ - IN^-$  (where  $IN^+$  and  $IN^-$  are the selected input channels), from  $-FS = -0.5 \cdot V_{REF}$  to  $+FS = 0.5 \cdot V_{REF}$  where  $V_{REF} = REF^+ - REF^-$ . Outside this range, the converter indicates the overrange or the underrange condition using distinct output codes.

### MUXOUT/ADCIN

There are two differences between the LTC2444/LTC2448 and the LTC2445/LTC2449. The first is the RMS noise performance. For a given OSR, the LTC2445/LTC2449 noise level is approximately  $\sqrt{2}$  times lower (0.5 effective bits) than that of the LTC2444/LTC2448.

The second difference is the LTC2445/LTC2449 includes MUXOUT/ADCIN pins. These pins enable an external buffer or gain block to be inserted between the output of the multiplexer and the input to the ADC. Since the buffer is driven by the output of the multiplexer, only one circuit is required for all 16 input channels. Additionally, the transparent calibration feature of the LTC244X family automatically removes the offset errors of the external buffer.

In order to achieve optimum performance, the MUXOUT and ADCIN pins should not be shorted together. In applications where the MUXOUT and ADCIN need to be shorted together, the LTC2444/LTC2448 should be used because the MUXOUT and ADCIN are internally connected for optimum performance.

### Output Data Format

The LTC2444/LTC2445/LTC2448/LTC2449 serial output data stream is 32 bits long. The first 3 bits represent status information indicating the sign and conversion state. The next 24 bits are the conversion result, MSB first. The remaining 5 bits are sub LSBs beyond the 24-bit level that may be included in averaging or discarded without loss of resolution. In the case of ultrahigh resolution modes, more than 24 effective bits of performance are possible (see Table 5). Under these conditions, sub LSBs are included in the conversion result and represent useful information beyond the 24-bit level. The third and fourth bit together are also used to indicate an underrange condition (the differential input voltage is below  $-FS$ ) or an overrange condition (the differential input voltage is above  $+FS$ ).

Bit 31 (first output bit) is the end of conversion ( $\overline{EOC}$ ) indicator. This bit is available at the SDO pin during the conversion and sleep states whenever the  $\overline{CS}$  pin is LOW. This bit is HIGH during the conversion and goes LOW when the conversion is complete.

Bit 30 (second output bit) is a dummy bit (DMY) and is always LOW.

Bit 29 (third output bit) is the conversion result sign indicator (SIG). If  $V_{IN}$  is  $>0$ , this bit is HIGH. If  $V_{IN}$  is  $<0$ , this bit is LOW.

Bit 28 (fourth output bit) is the most significant bit (MSB) of the result. This bit in conjunction with Bit 29 also provides the underrange or overrange indication. If both Bit 29 and Bit 28 are HIGH, the differential input voltage is above  $+FS$ . If both Bit 29 and Bit 28 are LOW, the differential input voltage is below  $-FS$ .

The function of these bits is summarized in Table 1.

**Table 1. LTC2444/LTC2445/LTC2448/LTC2449 Status Bits**

| Input Range                           | Bit 31<br>EOC | Bit 30<br>DMY | Bit 29<br>SIG | Bit 28<br>MSB |
|---------------------------------------|---------------|---------------|---------------|---------------|
| $V_{IN} \geq 0.5 \cdot V_{REF}$       | 0             | 0             | 1             | 1             |
| $0V \leq V_{IN} < 0.5 \cdot V_{REF}$  | 0             | 0             | 1             | 0             |
| $-0.5 \cdot V_{REF} \leq V_{IN} < 0V$ | 0             | 0             | 0             | 1             |
| $V_{IN} < -0.5 \cdot V_{REF}$         | 0             | 0             | 0             | 0             |

Bits 28-5 are the 24-bit conversion result MSB first.

Bit 5 is the least significant bit (LSB).

Bits 4-0 are sub LSBs below the 24-bit level. Bits 4-0 may be included in averaging or discarded without loss of resolution.

Data is shifted out of the SDO pin under control of the serial clock (SCK), see Figure 3. Whenever  $\overline{CS}$  is HIGH, SDO remains high impedance and SCK is ignored.

In order to shift the conversion result out of the device,  $\overline{CS}$  must first be driven LOW.  $\overline{EOC}$  is seen at the SDO pin of the device once  $\overline{CS}$  is pulled LOW.  $\overline{EOC}$  changes real time from HIGH to LOW at the completion of a conversion. This signal may be used as an interrupt for an external microcontroller. Bit 31 ( $\overline{EOC}$ ) can be captured on the first rising edge of SCK. Bit 30 is shifted out of the device on the

## APPLICATIONS INFORMATION

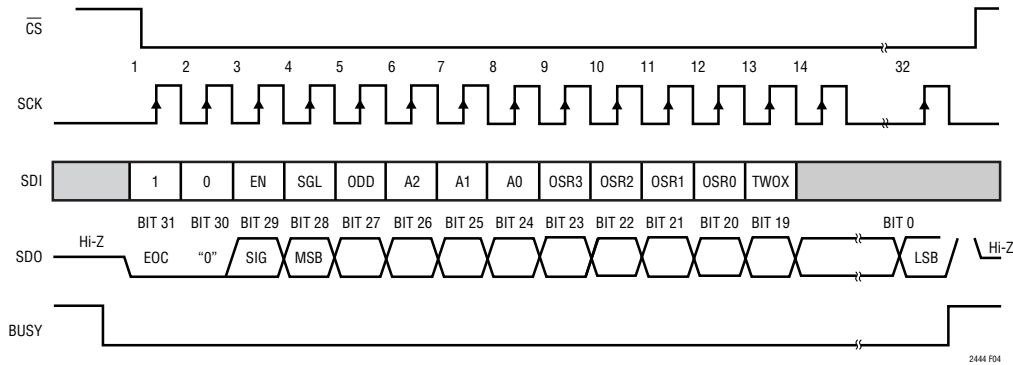


Figure 3. SDI Speed/Resolution, Channel Selection, and Data Output Timing

first falling edge of SCK. The final data bit (Bit 0) is shifted out on the falling edge of the 31st SCK and may be latched on the rising edge of the 32nd SCK pulse. On the falling edge of the 32nd SCK pulse, SDO goes HIGH indicating the initiation of a new conversion cycle. This bit serves as  $\overline{\text{EOC}}$  (Bit 31) for the next conversion cycle. Table 2 summarizes the output data format.

As long as the voltage on the  $\text{IN}^+$  and  $\text{IN}^-$  pins is maintained within the  $-0.3\text{V}$  to  $(V_{\text{CC}} + 0.3\text{V})$  absolute maximum operating range, a conversion result is generated for any differential input voltage  $V_{\text{IN}}$  from  $-\text{FS} = -0.5 \cdot V_{\text{REF}}$  to  $+\text{FS} = 0.5 \cdot V_{\text{REF}}$ . For differential input voltages greater than  $+\text{FS}$ , the conversion result is clamped to the value corresponding to the  $+\text{FS} + 1\text{LSB}$ . For differential input voltages below  $-\text{FS}$ , the conversion result is clamped to the value corresponding to  $-\text{FS} - 1\text{LSB}$ .

### SERIAL INTERFACE PINS

The LTC2444/LTC2445/LTC2448/LTC2449 transmit the conversion results and receive the start of conversion command through a synchronous 3- or 4-wire interface. During the conversion and sleep states, this interface can be used to assess the converter status and during the data output state it is used to read the conversion result and program the speed, resolution and input channel.

### Serial Clock Input/Output (SCK)

The serial clock signal present on SCK (Pin 38) is used to synchronize the data transfer. Each bit of data is shifted out the SDO pin on the falling edge of the serial clock.

In the Internal SCK mode of operation, the SCK pin is an output and the LTC2444/LTC2445/LTC2448/LTC2449 create their own serial clock. In the External SCK mode of operation, the SCK pin is used as input. The internal or

Table 2. LTC2444/LTC2445/LTC2448/LTC2449 Output Data Format

| Differential Input Voltage $V_{\text{IN}}^*$         | Bit 31 $\overline{\text{EOC}}$ | Bit 30 $\text{DMY}$ | Bit 29 $\text{SIG}$ | Bit 28 $\text{MSB}$ | Bit 27 | Bit 26 | Bit 25 | ... | Bit 0 |
|--|--------------------------------|---------------------|---------------------|---------------------|--------|--------|--------|-----|-------|
| $V_{\text{IN}}^* \geq 0.5 \cdot V_{\text{REF}}^{**}$ | 0                              | 0                   | 1                   | 1                   | 0      | 0      | 0      | ... | 0     |
| $0.5 \cdot V_{\text{REF}}^{**} - 1\text{LSB}$        | 0                              | 0                   | 1                   | 0                   | 1      | 1      | 1      | ... | 1     |
| $0.25 \cdot V_{\text{REF}}^{**}$                     | 0                              | 0                   | 1                   | 0                   | 1      | 0      | 0      | ... | 0     |
| $0.25 \cdot V_{\text{REF}}^{**} - 1\text{LSB}$       | 0                              | 0                   | 1                   | 0                   | 0      | 1      | 1      | ... | 1     |
| 0  | 0                              | 0                   | 1                   | 0                   | 0      | 0      | 0      | ... | 0     |
| -1LSB  | 0                              | 0                   | 0                   | 1                   | 1      | 1      | 1      | ... | 1     |
| $-0.25 \cdot V_{\text{REF}}^{**}$                    | 0                              | 0                   | 0                   | 1                   | 1      | 0      | 0      | ... | 0     |
| $-0.25 \cdot V_{\text{REF}}^{**} - 1\text{LSB}$      | 0                              | 0                   | 0                   | 1                   | 0      | 1      | 1      | ... | 1     |
| $-0.5 \cdot V_{\text{REF}}^{**}$                     | 0                              | 0                   | 0                   | 1                   | 0      | 0      | 0      | ... | 0     |
| $V_{\text{IN}}^* < -0.5 \cdot V_{\text{REF}}^{**}$   | 0                              | 0                   | 0                   | 0                   | 1      | 1      | 1      | ... | 1     |

\*The differential input voltage  $V_{\text{IN}} = \text{IN}^+ - \text{IN}^-$ . \*\*The differential reference voltage  $V_{\text{REF}} = \text{REF}^+ - \text{REF}^-$ .

## APPLICATIONS INFORMATION

external SCK mode is selected by tying  $\overline{\text{EXT}}$  (Pin 3) LOW for external SCK and HIGH for internal SCK.

### Serial Data Output (SDO)

The serial data output pin, SDO (Pin 37), provides the result of the last conversion as a serial bit stream (MSB first) during the data output state. In addition, the SDO pin is used as an end of conversion indicator during the conversion and sleep states.

When  $\overline{\text{CS}}$  (Pin 36) is HIGH, the SDO driver is switched to a high impedance state. This allows sharing the serial interface with other devices. If  $\overline{\text{CS}}$  is LOW during the convert or sleep state, SDO will output  $\overline{\text{EOC}}$ . If  $\overline{\text{CS}}$  is LOW during the conversion phase, the  $\overline{\text{EOC}}$  bit appears HIGH on the SDO pin. Once the conversion is complete,  $\overline{\text{EOC}}$  goes LOW. The device remains in the sleep state until the first rising edge of SCK occurs while  $\overline{\text{CS}} = \text{LOW}$ .

### Chip Select Input ( $\overline{\text{CS}}$ )

The active LOW chip select,  $\overline{\text{CS}}$  (Pin 36), is used to test the conversion status and to enable the data output transfer as described in the previous sections.

In addition, the  $\overline{\text{CS}}$  signal can be used to trigger a new conversion cycle before the entire serial data transfer has been completed. The LTC2444/LTC2445/LTC2448/LTC2449 will abort any serial data transfer in progress and start a new conversion cycle anytime a LOW-to-HIGH transition is detected at the  $\overline{\text{CS}}$  pin after the converter has entered the data output state.

### Serial Data Input (SDI)

The serial data input (SDI, Pin 34) is used to select the speed/resolution and input channel of the LTC2444/LTC2445/LTC2448/LTC2449. SDI is programmed by a serial input data stream under the control of SCK during the data output cycle, see Figure 3.

Initially, after powering up, the device performs a conversion with  $\text{IN}^+ = \text{CH0}$ ,  $\text{IN}^- = \text{CH1}$ ,  $\text{OSR} = 256$  (output rate

nominally 880Hz), and 1X speedup mode (no Latency). Once this first conversion is complete, the device enters the sleep state and is ready to output the conversion result and receive the serial data input stream programming the speed/resolution and input channel for the next conversion. At the conclusion of each conversion cycle, the device enters this state.

In order to change the speed/resolution or input channel, the first 3 bits shifted into the device are 101. This is compatible with the programming sequence of the LTC2414/LTC2418. If the sequence is set to 000 or 100, the following input data is ignored (don't care) and the previously selected speed/resolution and channel remain valid for the next conversion. Combinations other than 101, 100, and 000 of the 3 control bits should be avoided.

If the first 3 bits shifted into the device are 101, then the following 5 bits select the input channel for the following conversion (see Tables 3 and 4). The next 5 bits select the speed/resolution and mode 1X (no Latency) 2X (double output rate with one conversion latency), see Table 5. If these 5 bits are set to all 0's, the previous speed remains selected for the next conversion. This is useful in applications requiring a fixed output rate/resolution but need to change the input channel. In this case, the timing and input sequence is compatible with the LTC2414/LTC2418.

When an update operation is initiated (the first 3 bits are 101) the first 5 bits are the channel address. The first bit, SGL, determines if the input selection is differential (SGL = 0) or single-ended (SGL = 1). For SGL = 0, two adjacent channels can be selected to form a differential input. For SGL = 1, one of 8 channels (LTC2444/LTC2445) or one of 16 channels (LTC2448/LTC2449) is selected as the positive input. The negative input is COM for all single ended operations. The remaining 4 bits (ODD, A2, A1, A0) determine which channel is selected. The LTC2448/LTC2449 use all 4 bits to select one of 16 different input channels (see table 3) while in the case of the LTC2444/LTC2445, A2 is always 0, and the remaining 3 bits select one of 8 different input channels (see Table 4).

## APPLICATIONS INFORMATION

Table 3. Channel Selection for the LTC2448/LTC2449

| MUX ADDRESS |              |    |    |    | CHANNEL SELECTION |                 |                 |                 |                 |                 |                 |                 |                 |                 |                 |                 |                 |                 |                 |                 |                 |                 |
|-------------|--------------|----|----|----|-------------------|-----------------|-----------------|-----------------|-----------------|-----------------|-----------------|-----------------|-----------------|-----------------|-----------------|-----------------|-----------------|-----------------|-----------------|-----------------|-----------------|-----------------|
| SGL         | ODD/<br>SIGN | A2 | A1 | A0 | 0                 | 1               | 2               | 3               | 4               | 5               | 6               | 7               | 8               | 9               | 10              | 11              | 12              | 13              | 14              | 15              | COM             |                 |
| *           | 0            | 0  | 0  | 0  | IN <sup>+</sup>   | IN <sup>-</sup> |                 |                 |                 |                 |                 |                 |                 |                 |                 |                 |                 |                 |                 |                 |                 |                 |
|             | 0            | 0  | 0  | 1  |                   |                 | IN <sup>+</sup> | IN <sup>-</sup> |                 |                 |                 |                 |                 |                 |                 |                 |                 |                 |                 |                 |                 |                 |
|             | 0            | 0  | 0  | 1  |                   |                 |                 |                 | IN <sup>+</sup> | IN <sup>-</sup> |                 |                 |                 |                 |                 |                 |                 |                 |                 |                 |                 |                 |
|             | 0            | 0  | 0  | 1  |                   |                 |                 |                 |                 |                 | IN <sup>+</sup> | IN <sup>-</sup> |                 |                 |                 |                 |                 |                 |                 |                 |                 |                 |
|             | 0            | 0  | 1  | 0  |                   |                 |                 |                 |                 |                 |                 |                 | IN <sup>+</sup> | IN <sup>-</sup> |                 |                 |                 |                 |                 |                 |                 |                 |
|             | 0            | 0  | 1  | 0  |                   |                 |                 |                 |                 |                 |                 |                 |                 |                 | IN <sup>+</sup> | IN <sup>-</sup> |                 |                 |                 |                 |                 |                 |
|             | 0            | 0  | 1  | 1  |                   |                 |                 |                 |                 |                 |                 |                 |                 |                 |                 |                 | IN <sup>+</sup> | IN <sup>-</sup> |                 |                 |                 |                 |
|             | 0            | 0  | 1  | 1  |                   |                 |                 |                 |                 |                 |                 |                 |                 |                 |                 |                 |                 |                 | IN <sup>+</sup> | IN <sup>-</sup> |                 |                 |
|             | 0            | 1  | 0  | 0  | IN <sup>-</sup>   | IN <sup>+</sup> |                 |                 |                 |                 |                 |                 |                 |                 |                 |                 |                 |                 |                 |                 |                 |                 |
|             | 0            | 1  | 0  | 0  |                   |                 | IN <sup>-</sup> | IN <sup>+</sup> |                 |                 |                 |                 |                 |                 |                 |                 |                 |                 |                 |                 |                 |                 |
|             | 0            | 1  | 0  | 1  |                   |                 |                 |                 | IN <sup>-</sup> | IN <sup>+</sup> |                 |                 |                 |                 |                 |                 |                 |                 |                 |                 |                 |                 |
|             | 0            | 1  | 0  | 1  |                   |                 |                 |                 |                 |                 | IN <sup>-</sup> | IN <sup>+</sup> |                 |                 |                 |                 |                 |                 |                 |                 |                 |                 |
|             | 0            | 1  | 1  | 0  |                   |                 |                 |                 |                 |                 |                 |                 | IN <sup>-</sup> | IN <sup>+</sup> |                 |                 |                 |                 |                 |                 |                 |                 |
|             | 0            | 1  | 1  | 0  |                   |                 |                 |                 |                 |                 |                 |                 |                 |                 |                 |                 | IN <sup>-</sup> | IN <sup>+</sup> |                 |                 |                 |                 |
|             | 0            | 1  | 1  | 1  |                   |                 |                 |                 |                 |                 |                 |                 |                 |                 |                 |                 |                 |                 | IN <sup>-</sup> | IN <sup>+</sup> |                 |                 |
|             | 1            | 0  | 0  | 0  | IN <sup>+</sup>   |                 |                 |                 |                 |                 |                 |                 |                 |                 |                 |                 |                 |                 |                 |                 |                 | IN <sup>-</sup> |
|             | 1            | 0  | 0  | 1  |                   |                 | IN <sup>+</sup> |                 |                 |                 |                 |                 |                 |                 |                 |                 |                 |                 |                 |                 |                 | IN <sup>-</sup> |
|             | 1            | 0  | 0  | 1  |                   |                 |                 | IN <sup>+</sup> |                 |                 |                 |                 |                 |                 |                 |                 |                 |                 |                 |                 |                 | IN <sup>-</sup> |
|             | 1            | 0  | 0  | 1  |                   |                 |                 |                 | IN <sup>+</sup> |                 |                 |                 |                 |                 |                 |                 |                 |                 |                 |                 |                 | IN <sup>-</sup> |
|             | 1            | 0  | 1  | 0  |                   |                 |                 |                 |                 | IN <sup>+</sup> |                 |                 |                 |                 |                 |                 |                 |                 |                 |                 |                 | IN <sup>-</sup> |
|             | 1            | 0  | 1  | 0  |                   |                 |                 |                 |                 |                 | IN <sup>+</sup> |                 |                 |                 |                 |                 |                 |                 |                 |                 |                 | IN <sup>-</sup> |
|             | 1            | 0  | 1  | 1  |                   |                 |                 |                 |                 |                 |                 | IN <sup>+</sup> |                 |                 |                 |                 |                 |                 |                 |                 |                 | IN <sup>-</sup> |
|             | 1            | 0  | 1  | 1  |                   |                 |                 |                 |                 |                 |                 |                 | IN <sup>+</sup> |                 |                 |                 |                 |                 |                 |                 |                 | IN <sup>-</sup> |
|             | 1            | 0  | 1  | 1  |                   |                 |                 |                 |                 |                 |                 |                 |                 | IN <sup>+</sup> |                 |                 |                 |                 |                 |                 |                 | IN <sup>-</sup> |
|             | 1            | 0  | 1  | 1  |                   |                 |                 |                 |                 |                 |                 |                 |                 |                 | IN <sup>+</sup> |                 |                 |                 |                 |                 |                 | IN <sup>-</sup> |
|             | 1            | 0  | 1  | 1  |                   |                 |                 |                 |                 |                 |                 |                 |                 |                 |                 | IN <sup>+</sup> |                 |                 |                 |                 |                 | IN <sup>-</sup> |
|             | 1            | 1  | 0  | 0  |                   | IN <sup>+</sup> |                 |                 |                 |                 |                 |                 |                 |                 |                 |                 |                 |                 |                 |                 |                 | IN <sup>-</sup> |
|             | 1            | 1  | 0  | 0  |                   |                 | IN <sup>+</sup> |                 |                 |                 |                 |                 |                 |                 |                 |                 |                 |                 |                 |                 |                 | IN <sup>-</sup> |
|             | 1            | 1  | 0  | 1  |                   |                 |                 | IN <sup>+</sup> |                 |                 |                 |                 |                 |                 |                 |                 |                 |                 |                 |                 |                 | IN <sup>-</sup> |
|             | 1            | 1  | 0  | 1  |                   |                 |                 |                 | IN <sup>+</sup> |                 |                 |                 |                 |                 |                 |                 |                 |                 |                 |                 |                 | IN <sup>-</sup> |
|             | 1            | 1  | 0  | 1  |                   |                 |                 |                 |                 | IN <sup>+</sup> |                 |                 |                 |                 |                 |                 |                 |                 |                 |                 |                 | IN <sup>-</sup> |
|             | 1            | 1  | 1  | 0  |                   |                 |                 |                 |                 |                 |                 |                 |                 |                 |                 |                 |                 |                 |                 | IN <sup>+</sup> |                 | IN <sup>-</sup> |
|             | 1            | 1  | 1  | 0  |                   |                 |                 |                 |                 |                 |                 |                 |                 |                 |                 |                 |                 |                 |                 |                 | IN <sup>+</sup> | IN <sup>-</sup> |
|             | 1            | 1  | 1  | 1  |                   |                 |                 |                 |                 |                 |                 |                 |                 |                 |                 |                 |                 |                 |                 |                 | IN <sup>+</sup> | IN <sup>-</sup> |

\*Default at power up

## APPLICATIONS INFORMATION

Table 4. Channel Selection for the LTC2444/LTC2445 (Bit A2 Should Always Be 0)

| MUX ADDRESS |              |    |    | CHANNEL SELECTION |                 |                 |                 |                 |                 |                 |                 |                 |                 |
|-------------|--------------|----|----|-------------------|-----------------|-----------------|-----------------|-----------------|-----------------|-----------------|-----------------|-----------------|-----------------|
| SGL         | ODD/<br>SIGN | A2 | A1 | A0                | 0               | 1               | 2               | 3               | 4               | 5               | 6               | 7               | COM             |
| *           | 0            | 0  | 0  | 0                 | IN <sup>+</sup> | IN <sup>-</sup> |                 |                 |                 |                 |                 |                 |                 |
|             | 0            | 0  | 0  | 1                 |                 |                 | IN <sup>+</sup> | IN <sup>-</sup> |                 |                 |                 |                 |                 |
|             | 0            | 0  | 1  | 0                 |                 |                 |                 |                 | IN <sup>+</sup> | IN <sup>-</sup> |                 |                 |                 |
|             | 0            | 0  | 1  | 1                 |                 |                 |                 |                 |                 |                 | IN <sup>+</sup> | IN <sup>-</sup> |                 |
|             | 1            | 0  | 0  | 0                 | IN <sup>-</sup> | IN <sup>+</sup> |                 |                 |                 |                 |                 |                 |                 |
|             | 1            | 0  | 0  | 1                 |                 |                 | IN <sup>-</sup> | IN <sup>+</sup> |                 |                 |                 |                 |                 |
|             | 1            | 0  | 1  | 0                 |                 |                 |                 |                 | IN <sup>-</sup> | IN <sup>+</sup> |                 |                 |                 |
|             | 1            | 0  | 1  | 1                 |                 |                 |                 |                 |                 |                 | IN <sup>-</sup> | IN <sup>+</sup> |                 |
|             | 1            | 0  | 0  | 0                 | IN <sup>+</sup> |                 |                 |                 |                 |                 |                 |                 | IN <sup>-</sup> |
|             | 1            | 0  | 0  | 1                 |                 |                 | IN <sup>+</sup> |                 |                 |                 |                 |                 | IN <sup>-</sup> |
|             | 1            | 0  | 1  | 0                 |                 |                 |                 |                 | IN <sup>+</sup> |                 |                 |                 | IN <sup>-</sup> |
|             | 1            | 0  | 1  | 1                 |                 |                 |                 |                 |                 |                 | IN <sup>+</sup> |                 | IN <sup>-</sup> |
|             | 1            | 1  | 0  | 0                 |                 | IN <sup>+</sup> |                 |                 |                 |                 |                 |                 | IN <sup>-</sup> |
|             | 1            | 1  | 0  | 1                 |                 |                 |                 | IN <sup>+</sup> |                 |                 |                 |                 | IN <sup>-</sup> |
|             | 1            | 1  | 0  | 1                 |                 |                 |                 |                 |                 | IN <sup>+</sup> |                 |                 | IN <sup>-</sup> |
|             | 1            | 1  | 0  | 1                 |                 |                 |                 |                 |                 |                 |                 | IN <sup>+</sup> | IN <sup>-</sup> |

\*Default at power up

## APPLICATIONS INFORMATION

Table 5. LTC2444/LTC2445/LTC2448/LTC2449 Speed/Resolution Selection

| OSR3 | OSR2 | OSR1 | OSR0 | TWOX | CONVERSION RATE                |                               | RMS NOISE<br>LTC2444/<br>LTC2448 | RMS NOISE<br>LTC2445/<br>LTC2449 | ENOB<br>LTC2444/<br>LTC2448 | ENOB<br>LTC2445/<br>LTC2449 | OSR   | LATENCY |
|------|------|------|------|------|--------------------------------|-------------------------------|----------------------------------|----------------------------------|-----------------------------|-----------------------------|-------|---------|
|      |      |      |      |      | INTERNAL<br>9MHz<br>Clock      | EXTERNAL<br>10.24MHz<br>Clock |                                  |                                  |                             |                             |       |         |
| 0    | 0    | 0    | 0    | 0    | Keep Previous Speed/Resolution |                               |                                  |                                  |                             |                             |       |         |
| 0    | 0    | 0    | 1    | 0    | 3.52kHz                        | 4kHz                          | 23μV                             | 23μV                             | 17                          | 17                          | 64    | none    |
| 0    | 0    | 1    | 0    | 0    | 1.76kHz                        | 2kHz                          | 4.4μV                            | 3.5μV                            | 20.1                        | 20.1                        | 128   | none    |
| 0    | 0    | 1    | 1    | 0    | 880Hz                          | 1kHz                          | 2.8μV                            | 2μV                              | 20.8                        | 21.3                        | 256   | none    |
| 0    | 1    | 0    | 0    | 0    | 440Hz                          | 500Hz                         | 2μV                              | 1.4μV                            | 21.3                        | 21.8                        | 512   | none    |
| 0    | 1    | 0    | 1    | 0    | 220Hz                          | 250Hz                         | 1.4μV                            | 1μV                              | 21.8                        | 22.4                        | 1024  | none    |
| 0    | 1    | 1    | 0    | 0    | 110Hz                          | 125Hz                         | 1.1μV                            | 750nV                            | 22.1                        | 22.9                        | 2048  | none    |
| 0    | 1    | 1    | 1    | 0    | 55Hz                           | 62.5Hz                        | 720nV                            | 510nV                            | 22.7                        | 23.4                        | 4096  | none    |
| 1    | 0    | 0    | 0    | 0    | 27.5Hz                         | 31.25Hz                       | 530nV                            | 375nV                            | 23.2                        | 24                          | 8192  | none    |
| 1    | 0    | 0    | 1    | 0    | 13.75Hz                        | 15.625Hz                      | 350nV                            | 250nV                            | 23.8                        | 24.4                        | 16384 | none    |
| 1    | 1    | 1    | 1    | 0    | 6.875Hz                        | 7.8125Hz                      | 280nV                            | 200nV                            | 24.1                        | 24.6                        | 32768 | none    |
| 0    | 0    | 0    | 0    | 1    | Keep Previous Speed/Resolution |                               |                                  |                                  |                             |                             |       |         |
| 0    | 0    | 0    | 1    | 1    | 7.04kHz                        | 8kHz                          | 23μV                             | 23μV                             | 17                          | 17                          | 64    | 1 cycle |
| 0    | 0    | 1    | 0    | 1    | 3.52kHz                        | 4kHz                          | 4.4μV                            | 3.5μV                            | 20.1                        | 20.1                        | 128   | 1 cycle |
| 0    | 0    | 1    | 1    | 1    | 1.76kHz                        | 2kHz                          | 2.8μV                            | 2μV                              | 20.8                        | 21.3                        | 256   | 1 cycle |
| 0    | 1    | 0    | 0    | 1    | 880Hz                          | 1kHz                          | 2μV                              | 1.4μV                            | 21.3                        | 21.8                        | 512   | 1 cycle |
| 0    | 1    | 0    | 1    | 1    | 440Hz                          | 500Hz                         | 1.4μV                            | 1μV                              | 21.8                        | 22.4                        | 1024  | 1 cycle |
| 0    | 1    | 1    | 0    | 1    | 220Hz                          | 250Hz                         | 1.1μV                            | 750nV                            | 22.1                        | 22.9                        | 2048  | 1 cycle |
| 0    | 1    | 1    | 1    | 1    | 110Hz                          | 125Hz                         | 720nV                            | 510nV                            | 22.7                        | 23.4                        | 4096  | 1 cycle |
| 1    | 0    | 0    | 0    | 1    | 55Hz                           | 62.5Hz                        | 530nV                            | 375nV                            | 23.2                        | 24                          | 8192  | 1 cycle |
| 1    | 0    | 0    | 1    | 1    | 27.5Hz                         | 31.25Hz                       | 350nV                            | 250nV                            | 23.8                        | 24.4                        | 16384 | 1 cycle |
| 1    | 1    | 1    | 1    | 1    | 13.75Hz                        | 15.625Hz                      | 280nV                            | 200nV                            | 24.1                        | 24.6                        | 32768 | 1 cycle |

## APPLICATIONS INFORMATION

### Speed Multiplier Mode

In addition to selecting the speed/resolution, a speed multiplier mode is used to double the output rate while maintaining the selected resolution. The last bit of the 5-bit speed/resolution control word (TWOX, see Table 5) determines if the output rate is 1X (no speed increase) or 2X (double the selected speed).

While operating in the 1X mode, the device combines two internal conversions for each conversion result in order to remove the ADC offset. Every conversion cycle, the offset and offset drift are transparently calibrated greatly simplifying the user interface. The resulting conversion result has no latency. The first conversion following a newly selected speed/resolution and input channel is valid. This is identical to the operation of the LTC2440, LTC2414 and LTC2418.

While operating in the 2X mode, the device performs a running average of the last two conversion results. This automatically removes the offset and drift of the device while increasing the output rate by 2X. The resolution (noise) remains the same. If a new channel is selected, the conversion result is valid for all conversions after the first conversion (one cycle latency). If a new speed/resolution is selected, the first conversion result is valid but the resolution (noise) is a function of the running average. All subsequent conversion results are valid. If the mode is changed from either 1X to 2X or 2X to 1X without changing the resolution or channel, the first conversion result is valid.

If an external buffer/amplifier circuit is used for the LTC2445/LTC2449, the 2X mode can be used to increase the settling time of the amplifier between readings. While operating in the 2X mode, the multiplexer output (input to the external buffer/amplifier) is switched at the end of each conversion cycle. Prior to concluding the data out/in cycle, the analog multiplexer output is switched. This occurs at

the end of the conversion cycle (just prior to the data output cycle) for auto calibration. The time required to read the conversion enables more settling time for the external buffer/amplifier. The offset/offset drift of the external amplifier is automatically removed by the converter's auto calibration sequence for both the 1X and 2X speed modes.

While operating in the 1X mode, if a new input channel is selected the multiplexer is switched on the falling edge of the 14th SCK (once the complete data input word is programmed). The remaining data output sequence time can be used to allow the external buffer/amplifier to settle.

### BUSY

The BUSY output (Pin 2) is used to monitor the state of conversion, data output and sleep cycle. While the part is converting, the BUSY pin is HIGH. Once the conversion is complete, BUSY goes LOW indicating the conversion is complete and data out is ready. The part now enters the LOW power sleep state. BUSY remains LOW while data is shifted out of the device and SDI is shifted into the device. It goes HIGH at the conclusion of the data input/output cycle indicating a new conversion has begun. This rising edge may be used to flag the completion of the data read cycle.

### SERIAL INTERFACE TIMING MODES

The LTC2444/LTC2445/LTC2448/LTC2449's 3- or 4-wire interface is SPI and MICROWIRE compatible. This interface offers several flexible modes of operation. These include internal/external serial clock, 3- or 4-wire I/O, single cycle conversion and autostart. The following sections describe each of these serial interface timing modes in detail. In all these cases, the converter can use the internal oscillator ( $F_0 = \text{LOW}$ ) or an external oscillator connected to the  $F_0$  pin. Refer to Table 6 for a summary.

Table 6. LTC2444/LTC2445/LTC2448/LTC2449 Interface Timing Modes

| Configuration                                   | SCK Source | Conversion Cycle Control          | Data Output Control               | Connection and Waveforms |
|---|------------|-----------------------------------|-----------------------------------|--------------------------|
| External SCK, Single Cycle Conversion           | External   | $\overline{\text{CS}}$ and SCK    | $\overline{\text{CS}}$ and SCK    | Figures 4, 5             |
| External SCK, 2-Wire I/O                        | External   | SCK                               | SCK                               | Figure 6                 |
| Internal SCK, Single Cycle Conversion           | Internal   | $\overline{\text{CS}} \downarrow$ | $\overline{\text{CS}} \downarrow$ | Figures 7, 8             |
| Internal SCK, 2-Wire I/O, Continuous Conversion | Internal   | Continuous                        | Internal                          | Figure 9                 |

2444589fb

## APPLICATIONS INFORMATION

### External Serial Clock, Single Cycle Operation (SPI/MICROWIRE Compatible)

This timing mode uses an external serial clock to shift out the conversion result and a  $\overline{CS}$  signal to monitor and control the state of the conversion cycle, see Figure 4.

The serial clock mode is selected by the  $\overline{EXT}$  pin. To select the external serial clock mode,  $\overline{EXT}$  must be tied low.

The serial data output pin (SDO) is Hi-Z as long as  $\overline{CS}$  is HIGH. At any time during the conversion cycle,  $\overline{CS}$  may be pulled LOW in order to monitor the state of the converter. While  $\overline{CS}$  is pulled LOW,  $\overline{EOC}$  is output to the SDO pin.  $\overline{EOC} = 1$  (BUSY = 1) while a conversion is in progress and  $\overline{EOC} = 0$  (BUSY = 0) if the device is in the sleep state. Independent of  $\overline{CS}$ , the device automatically enters the low power sleep state once the conversion is complete.

When the device is in the sleep state ( $\overline{EOC} = 0$ ), its conversion result is held in an internal static shift register. The device remains in the sleep state until the first rising edge of SCK is seen. Data is shifted out the SDO pin on each falling edge of SCK. This enables external circuitry to latch the output on the rising edge of SCK.  $\overline{EOC}$  can be latched on the first rising edge of SCK and the last bit of the conversion result can be latched on the 32nd rising edge of SCK. On the 32nd falling edge of SCK, the device begins a new conversion. SDO goes HIGH ( $\overline{EOC} = 1$ ) and BUSY goes HIGH indicating a conversion is in progress.

At the conclusion of the data cycle,  $\overline{CS}$  may remain LOW and  $\overline{EOC}$  monitored as an end-of-conversion interrupt. Alternatively,  $\overline{CS}$  may be driven HIGH setting SDO to Hi-Z and BUSY monitored for the completion of a conversion.

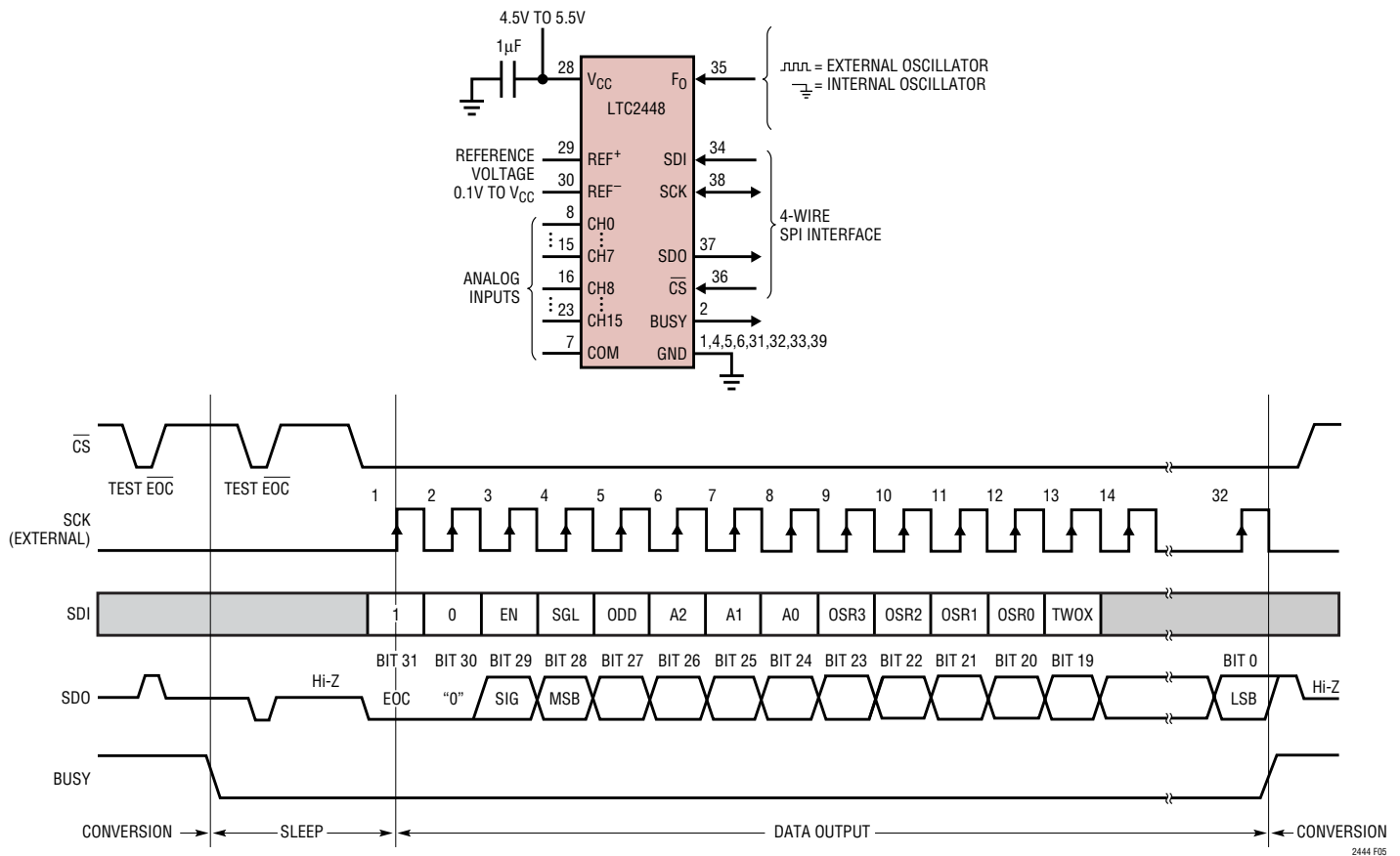


Figure 4. External Serial Clock, Single Cycle Operation



## APPLICATIONS INFORMATION

As described above,  $\overline{CS}$  may be pulled LOW at any time in order to monitor the conversion status on the SDO pin.

Typically,  $\overline{CS}$  remains LOW during the data output state. However, the data output state may be aborted by pulling CS HIGH anytime between the fifth falling edge and the 32nd falling edge of SCK, see Figure 5. On the rising edge of CS, the device aborts the data output state and immediately initiates a new conversion. Thirteen serial input data bits are required in order to properly program the speed/resolution and input channel. If the data output

sequence is aborted prior to the 13th rising edge of SCK, the new input data is ignored, and the previously selected speed/resolution and channel are used for the next conversion cycle. This is useful for systems not requiring all 32 bits of output data, aborting an invalid conversion cycle or synchronizing the start of a conversion. If a new channel is being programmed, the rising edge of  $\overline{CS}$  must come after the 14th falling edge of SCK in order to store the data input sequence.

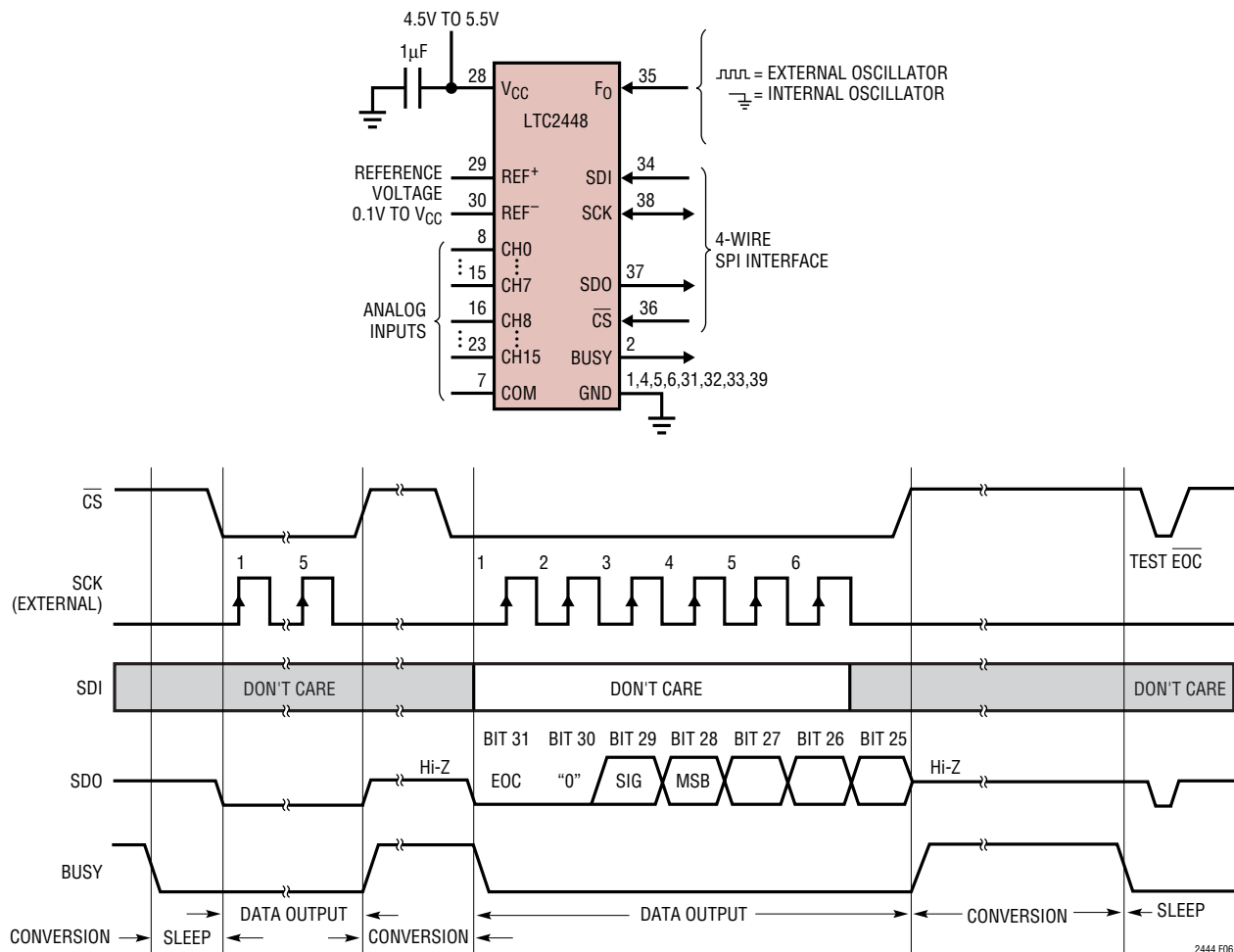


Figure 5. External Serial Clock, Reduced Output Data Length

## APPLICATIONS INFORMATION

### External Serial Clock, 2-Wire I/O

This timing mode utilizes a 2-wire serial I/O interface. The conversion result is shifted out of the device by an externally generated serial clock (SCK) signal, see Figure 6.  $\overline{CS}$  may be permanently tied to ground, simplifying the user interface or isolation barrier. The external serial clock mode is selected by tying  $\overline{EXT\ LOW}$ .

Since  $\overline{CS}$  is tied LOW, the end-of-conversion ( $\overline{EOC}$ ) can be continuously monitored at the SDO pin during the convert and sleep states. Conversely, BUSY (Pin 2) may be used to monitor the status of the conversion cycle.  $\overline{EOC}$  or BUSY may be used as an interrupt to an external controller

indicating the conversion result is ready.  $\overline{EOC} = 1$  ( $BUSY = 1$ ) while the conversion is in progress and  $\overline{EOC} = 0$  ( $BUSY = 0$ ) once the conversion enters the low power sleep state. On the falling edge of  $\overline{EOC}/BUSY$ , the conversion result is loaded into an internal static shift register. The device remains in the sleep state until the first rising edge of SCK. Data is shifted out the SDO pin on each falling edge of SCK enabling external circuitry to latch data on the rising edge of SCK.  $\overline{EOC}$  can be latched on the first rising edge of SCK. On the 32nd falling edge of SCK, SDO and BUSY go HIGH ( $\overline{EOC} = 1$ ) indicating a new conversion has begun.

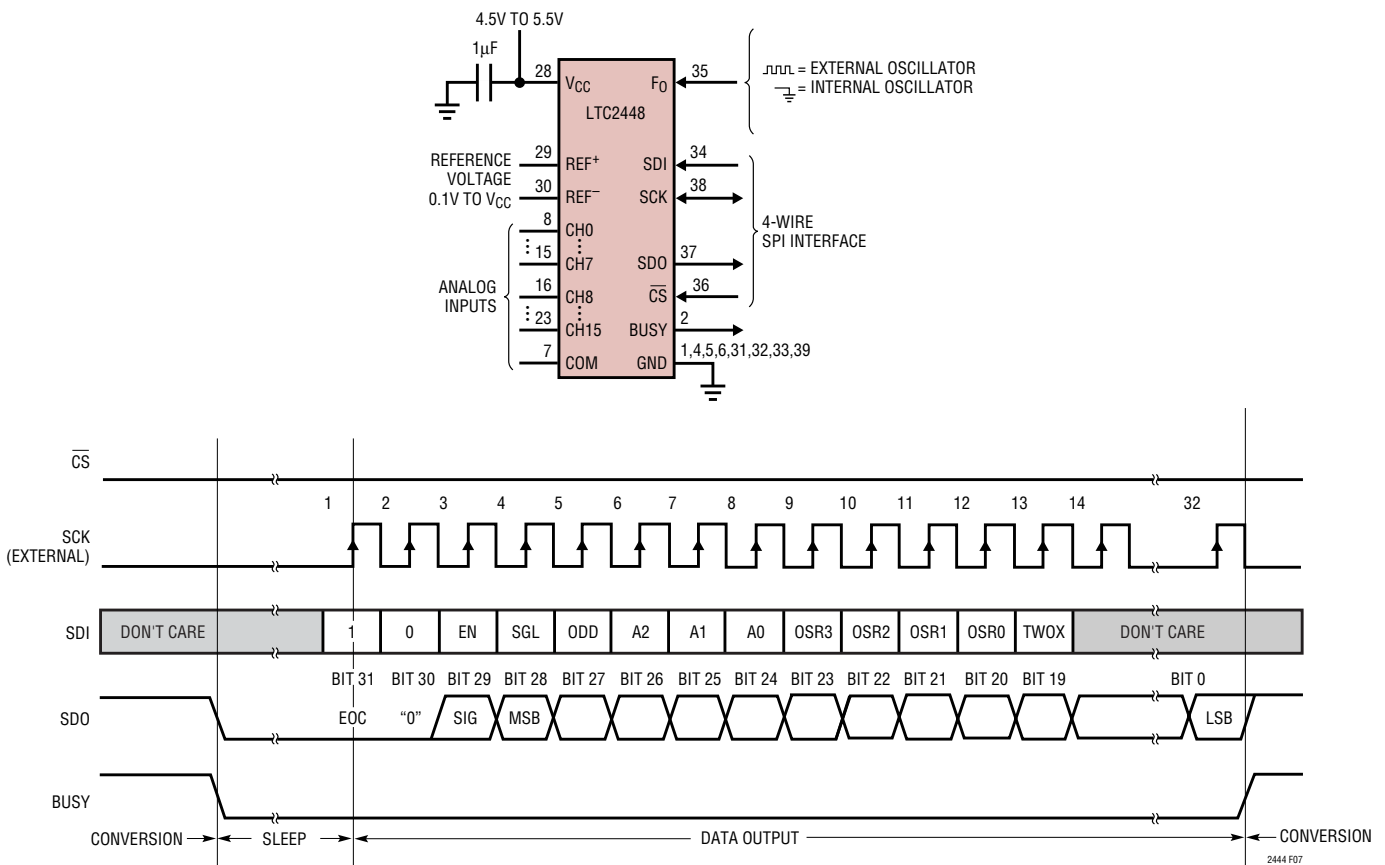


Figure 6. External Serial Clock, CS = 0 Operation (2-Wire)

## APPLICATIONS INFORMATION

### Internal Serial Clock, Single Cycle Operation

This timing mode uses an internal serial clock to shift out the conversion result and a  $\overline{CS}$  signal to monitor and control the state of the conversion cycle, see Figure 7.

In order to select the internal serial clock timing mode, the  $\overline{EXT}$  pin must be tied HIGH.

The serial data output pin (SDO) is Hi-Z as long as  $\overline{CS}$  is HIGH. At any time during the conversion cycle,  $\overline{CS}$  may be pulled LOW in order to monitor the state of the converter. Once  $\overline{CS}$  is pulled LOW, SCK goes LOW and  $\overline{EOC}$  is output to the SDO pin.  $\overline{EOC} = 1$  while a conversion is in progress and  $\overline{EOC} = 0$  if the device is in the sleep state. Alternatively, BUSY (Pin 2) may be used to monitor the status of the conversion in progress. BUSY is HIGH during the conver-

sion and goes LOW at the conclusion. It remains LOW until the result is read from the device.

When testing  $\overline{EOC}$ , if the conversion is complete ( $\overline{EOC} = 0$ ), the device will exit the sleep state and enter the data output state if  $\overline{CS}$  remains LOW. In order to prevent the device from exiting the low power sleep state,  $\overline{CS}$  must be pulled HIGH before the first rising edge of SCK. In the internal SCK timing mode, SCK goes HIGH and the device begins outputting data at time  $t_{EOCtest}$  after the falling edge of  $\overline{CS}$  (if  $\overline{EOC} = 0$ ) or  $t_{EOCtest}$  after  $\overline{EOC}$  goes LOW (if  $\overline{CS}$  is LOW during the falling edge of  $\overline{EOC}$ ). The value of  $t_{EOCtest}$  is 500ns. If  $\overline{CS}$  is pulled HIGH before time  $t_{EOCtest}$ , the device remains in the sleep state. The conversion result is held in the internal static shift register.

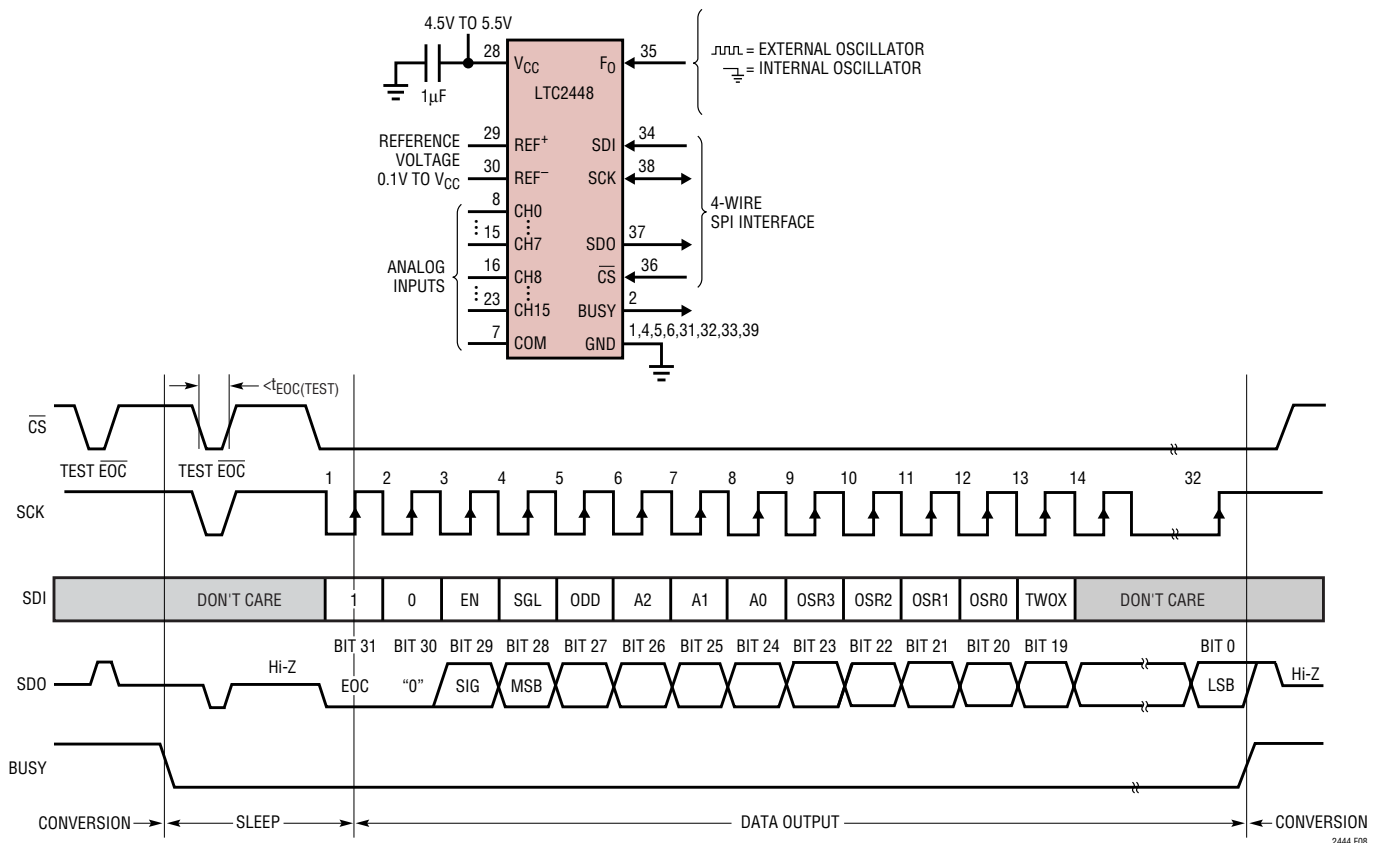


Figure 7. Internal Serial Clock, Single Cycle Operation

## APPLICATIONS INFORMATION

If  $\overline{CS}$  remains LOW longer than  $t_{EOC_{test}}$ , the first rising edge of SCK will occur and the conversion result is serially shifted out of the SDO pin. The data output cycle begins on this first rising edge of SCK and concludes after the 32nd rising edge. Data is shifted out the SDO pin on each falling edge of SCK. The internally generated serial clock is output to the SCK pin. This signal may be used to shift the conversion result into external circuitry.  $\overline{EOC}$  can be latched on the first rising edge of SCK and the last bit of the conversion result on the 32nd rising edge of SCK. After the 32nd rising edge, SDO goes HIGH ( $\overline{EOC} = 1$ ), SCK stays HIGH and a new conversion starts.

Typically,  $\overline{CS}$  remains LOW during the data output state. However, the data output state may be aborted by pulling  $\overline{CS}$  HIGH anytime between the first and 32nd rising edge

of SCK, see Figure 8. On the rising edge of  $\overline{CS}$ , the device aborts the data output state and immediately initiates a new conversion. This is useful for systems not requiring all 32 bits of output data, aborting an invalid conversion cycle, or synchronizing the start of a conversion. Thirteen serial input data bits are required in order to properly program the speed/resolution and input channel. If the data output sequence is aborted prior to the 13th rising edge of SCK, the new input data is ignored, and the previously selected speed/resolution and channel are used for the next conversion cycle. If a new channel is being programmed, the rising edge of  $\overline{CS}$  must come after the 14th falling edge of SCK in order to store the data input sequence.

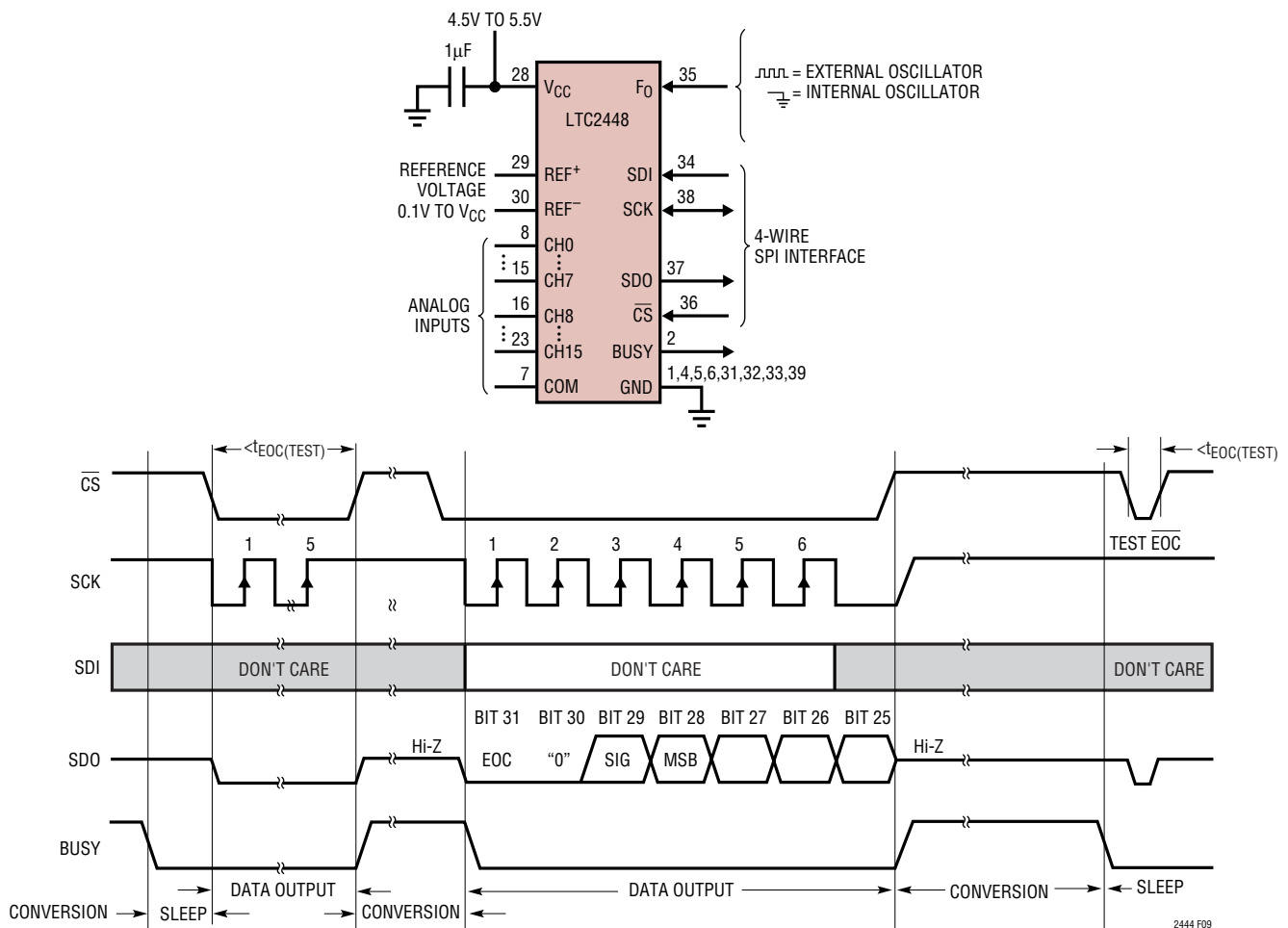


Figure 8. Internal Serial Clock, Reduced Data Output Length

## APPLICATIONS INFORMATION

### Internal Serial Clock, 2-Wire I/O, Continuous Conversion

This timing mode uses a 2-wire, all output (SCK and SDO) interface. The conversion result is shifted out of the device by an internally generated serial clock (SCK) signal, see Figure 9.  $\overline{CS}$  may be permanently tied to ground, simplifying the user interface or isolation barrier. The internal serial clock mode is selected by tying  $\overline{EXT}$  HIGH.

During the conversion, the SCK and the serial data output pin (SDO) are HIGH ( $\overline{EOC} = 1$ ) and  $BUSY = 1$ . Once the conversion is complete, SCK,  $BUSY$  and SDO go LOW ( $\overline{EOC} = 0$ ) indicating the conversion has finished and the

device has entered the low power sleep state. The part remains in the sleep state a minimum amount of time ( $\approx 500\text{ns}$ ) then immediately begins outputting data. The data output cycle begins on the first rising edge of SCK and ends after the 32nd rising edge. Data is shifted out the SDO pin on each falling edge of SCK. The internally generated serial clock is output to the SCK pin. This signal may be used to shift the conversion result into external circuitry.  $\overline{EOC}$  can be latched on the first rising edge of SCK and the last bit of the conversion result can be latched on the 32nd rising edge of SCK. After the 32nd rising edge, SDO goes HIGH ( $\overline{EOC} = 1$ ) indicating a new conversion is in progress. SCK remains HIGH during the conversion.

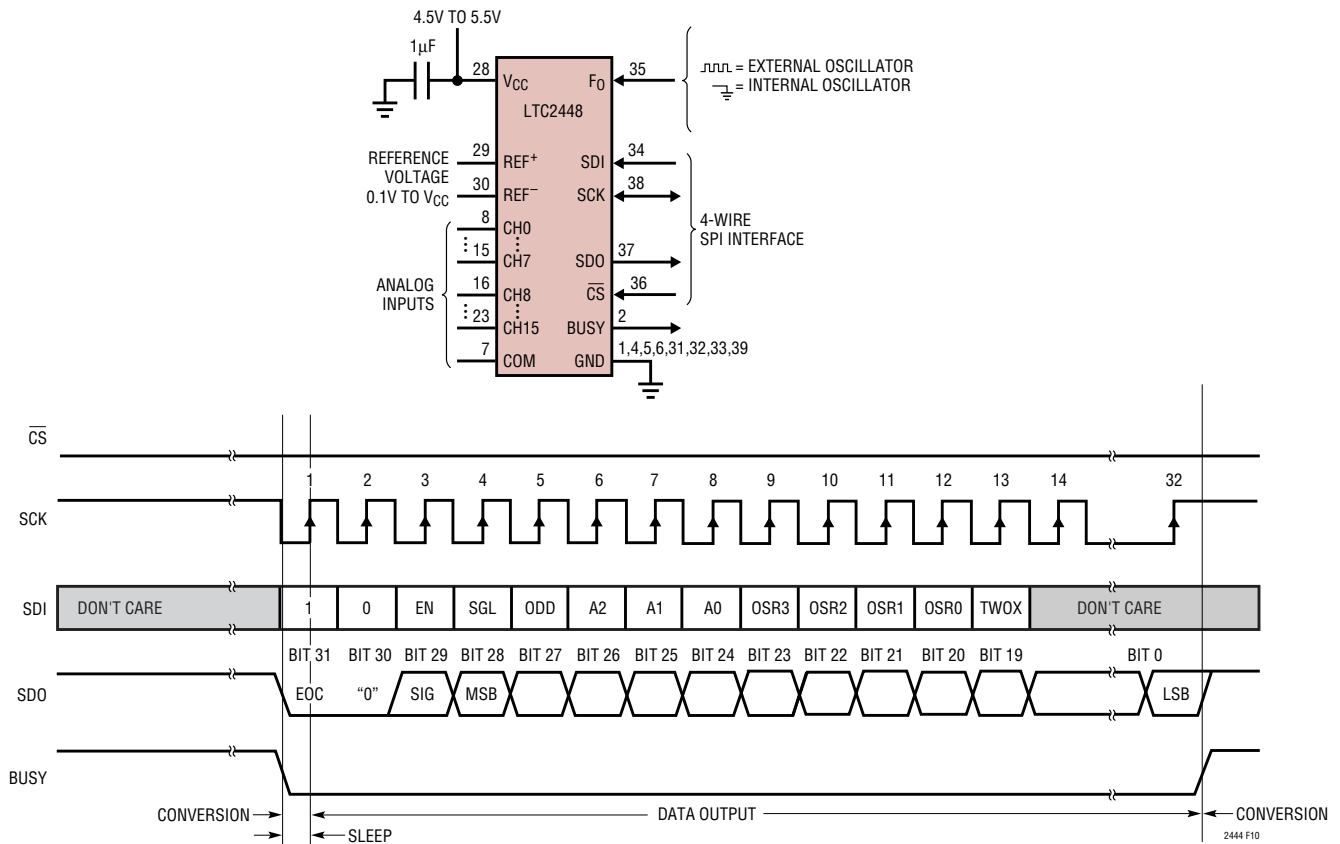


Figure 9. Internal Serial Clock, Continuous Operation

## APPLICATIONS INFORMATION

### Normal Mode Rejection and Antialiasing

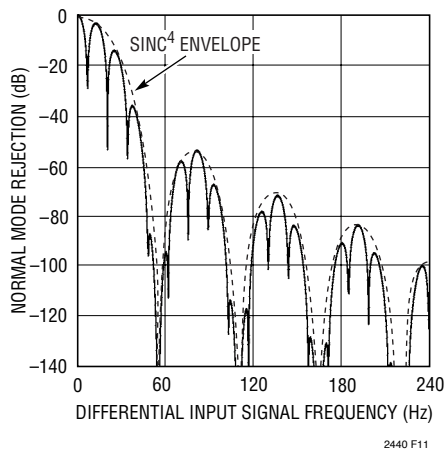
One of the advantages delta-sigma ADCs offer over conventional ADCs is on-chip digital filtering. Combined with a large oversampling ratio, the LTC2444/LTC2445/LTC2448/LTC2449 significantly simplify antialiasing filter requirements.

The LTC2444/LTC2445/LTC2448/LTC2449's speed/resolution is determined by the over sample ratio (OSR) of the on-chip digital filter. The OSR ranges from 64 for 3.5kHz output rate to 32,768 for 6.9Hz (in No Latency mode) output rate. The value of OSR and the sample rate  $f_S$  determine the filter characteristics of the device. The first NULL of the digital filter is at  $f_N$  and multiples of  $f_N$  where  $f_N = f_S/OSR$ , see Figure 10 and Table 7. The rejection at the frequency  $f_N \pm 14\%$  is better than 80dB, see Figure 11.

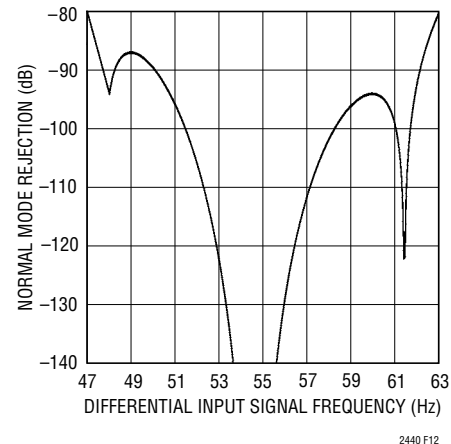
**Table 7. OSR vs Notch Frequency ( $f_N$ ) (with Internal Oscillator Running at 9MHz)**

| OSR    | NOTCH ( $f_N$ ) |
|--------|-----------------|
| 64     | 28.16kHz        |
| 128    | 14.08kHz        |
| 256    | 7.04kHz         |
| 512    | 3.52kHz         |
| 1024   | 1.76kHz         |
| 2048   | 880Hz           |
| 4096   | 440Hz           |
| 8192   | 220Hz           |
| 16384  | 110Hz           |
| 32768* | 55Hz            |

\*Simultaneous 50/60Hz rejection



**Figure 10. LTC2444/LTC2445/LTC2448/LTC2449 Normal Mode Rejection (Internal Oscillator)**



**Figure 11. LTC2444/LTC2445/LTC2448/LTC2449 Normal Mode Rejection (Internal Oscillator)**

## APPLICATIONS INFORMATION

If  $F_0$  is grounded,  $f_S$  is set by the on-chip oscillator at  $1.8\text{MHz} \pm 5\%$  (over supply and temperature variations). At an OSR of 32,768, the first NULL is at  $f_N = 55\text{Hz}$  and the no latency output rate is  $f_N/8 = 6.9\text{Hz}$ . At the maximum OSR, the noise performance of the device is  $280\text{nV}_{\text{RMS}}$  (LTC2444/LTC2448) and  $200\text{nV}_{\text{RMS}}$  (LTC2445/LTC2449) with better than  $80\text{dB}$  rejection of  $50\text{Hz} \pm 2\%$  and  $60\text{Hz} \pm 2\%$ . Since the OSR is large (32,768) the wide band rejection is extremely large and the antialiasing requirements are simple. The first multiple of  $f_S$  occurs at  $55\text{Hz} \cdot 32,768 = 1.8\text{MHz}$ , see Figure 12.

The first NULL becomes  $f_N = 7.04\text{kHz}$  with an OSR of 256 (an output rate of  $880\text{Hz}$ ) and  $F_0$  grounded. While the NULL has shifted, the sample rate remains constant. As a result of constant modulator sampling rate, the linearity, offset and full-scale performance remains unchanged as does the first multiple of  $f_S$ .

The sample rate  $f_S$  and NULL  $f_N$ , may also be adjusted by driving the  $F_0$  pin with an external oscillator. The sample rate is  $f_S = f_{\text{EOSC}}/5$ , where  $f_{\text{EOSC}}$  is the frequency of the

clock applied to  $F_0$ . Combining a large OSR with a reduced sample rate leads to notch frequencies  $f_N$  near DC while maintaining simple antialiasing requirements. A  $100\text{kHz}$  clock applied to  $F_0$  results in a NULL at  $0.6\text{Hz}$  plus all harmonics up to  $20\text{kHz}$ , see Figure 13. This is useful in applications requiring digitalization of the DC component of a noisy input signal and eliminates the need of placing a  $0.6\text{Hz}$  filter in front of the ADC.

An external oscillator operating from  $100\text{kHz}$  to  $20\text{MHz}$  can be implemented using the LTC1799 (resistor set SOT-23 oscillator), see Figure 16. By floating pin 4 (DIV) of the LTC1799, the output oscillator frequency is:

$$f_{\text{OSC}} = 10\text{MHz} \cdot \left( \frac{10\text{k}}{10 \cdot R_{\text{SET}}} \right)$$

The normal mode rejection characteristic shown in Figure 13 is achieved by applying the output of the LTC1799 (with  $R_{\text{SET}} = 100\text{k}$ ) to the  $F_0$  pin on the LTC2444/LTC2445/LTC2448/LTC2449 with SDI tied HIGH (OSR = 32768).

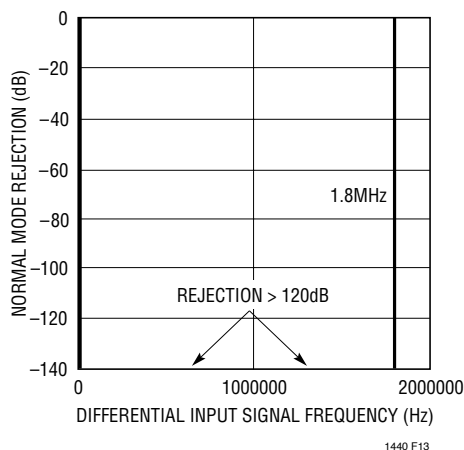


Figure 12. LTC2444/LTC2445/LTC2448/LTC2449 Normal Mode Rejection (Internal Oscillator)

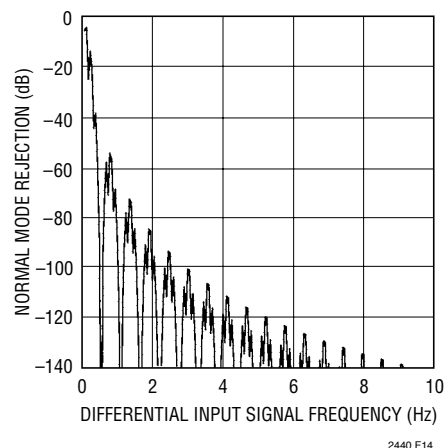


Figure 13. LTC2444/LTC2445/LTC2448/LTC2449 Normal Mode Rejection (External Oscillator at  $90\text{kHz}$ )

## APPLICATIONS INFORMATION

### Reduced Power Operation

In addition to adjusting the speed/resolution of the LTC2444/LTC2445/LTC2448/LTC2449, the speed/resolution/power dissipation may also be adjusted using the automatic sleep mode. During the conversion cycle, the LTC2444/LTC2445/LTC2448/LTC2449 draw 8mA supply current independent of the programmed speed. Once the conversion cycle is completed, the device automatically enters a low power sleep state drawing 8 $\mu$ A. The device remains in this state as long as  $\overline{CS}$  is HIGH and data is not shifted out. By adjusting the duration of the sleep state (hold CS HIGH longer) and the duration of the conversion cycle (programming OSR) the DC power dissipation can be reduced, see Figure 14.

### Average Input Current

The LTC2444/LTC2448 switch the input and reference to a 2pF capacitor at a frequency of 1.8MHz. A simplified equivalent circuit is shown in Figure 15. The sample capacitor for the LTC2445/LTC2449 is 4pF, and its average input current is externally buffered from the input source.

The average input and reference currents can be expressed in terms of the equivalent input resistance of the sample capacitor, where:  $R_{eq} = 1/(f_{SW} \cdot C_{eq})$

When using the internal oscillator,  $f_{SW}$  is 1.8MHz and the equivalent resistance is approximately 110k $\Omega$ .

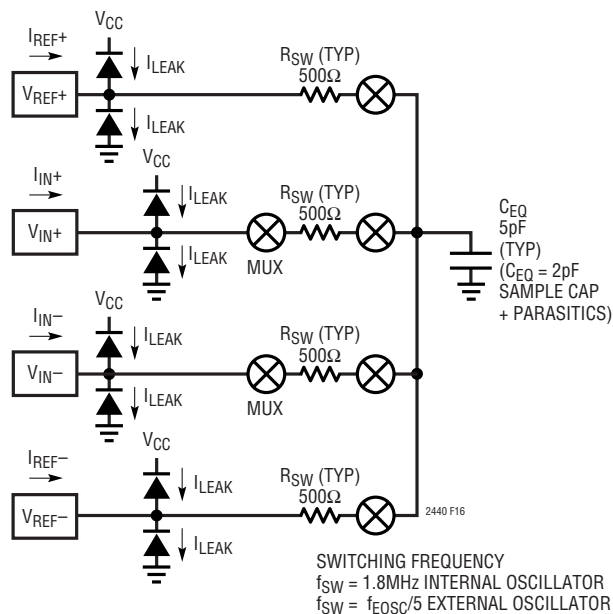


Figure 15. LTC2444/LTC2448 Input Structure

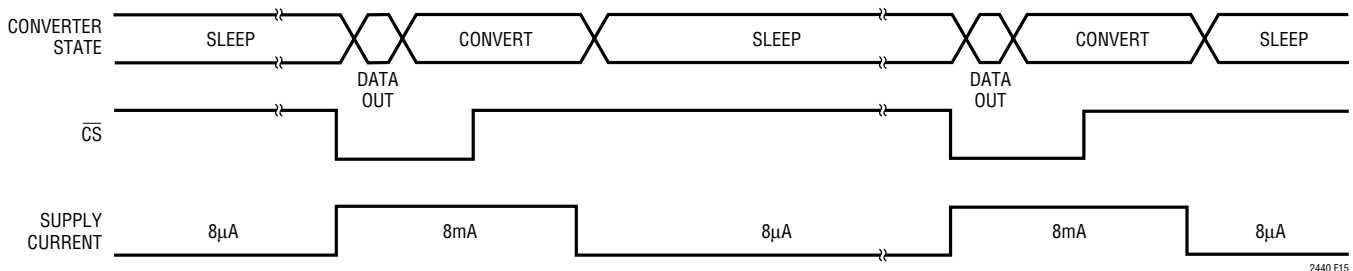


Figure 14. Reduced Power Timing Mode



## APPLICATIONS INFORMATION

### Input Bandwidth and Frequency Rejection

The combined effect of the internal SINC<sup>4</sup> digital filter and the digital and analog autocalibration circuits determines the LTC2444/LTC2445/LTC2448/LTC2449 input bandwidth and rejection characteristics. The digital filter's response can be adjusted by setting the oversample ratio (OSR) through the SPI interface or by supplying an external conversion clock to the  $f_0$  pin.

Table 8 lists the properties of the LTC2444/LTC2445/LTC2448/LTC2449 with various combinations of oversample ratio and clock frequency. Understanding these properties is the key to fine tuning the characteristics of the LTC2444/LTC2445/LTC2448/LTC2449 to the application.

### Maximum Conversion Rate

The maximum conversion rate is the fastest possible rate at which conversions can be performed.

### First Notch Frequency

This is the first notch in the SINC<sup>4</sup> portion of the digital filter and depends on the  $f_0$  clock frequency and the oversample ratio. Rejection at this frequency and its multiples (up to the modulator sample rate of 1.8MHz) exceeds 120dB. This is 8 times the maximum conversion rate.

### Effective Noise Bandwidth

The LTC2444/LTC2445/LTC2448/LTC2449 has extremely good input noise rejection from the first notch frequency all the way out to the modulator sample rate (typically 1.8MHz). Effective noise bandwidth is a measure of how the ADC will reject wideband input noise up to the modulator sample rate. The example on the following page shows how the noise rejection of the LTC2444/LTC2445/LTC2448/LTC2449 reduces the effective noise of an amplifier driving its input.

Table 8

| Over-sample Ratio (OSR) | *RMS Noise      |                 | ENOB (V <sub>REF</sub> = 5V) |                 | Maximum Conversion Rate |                | First Notch Frequency |                | Effective Noise BW  |                | -3dB point (Hz)     |                |
|-------------------------|-----------------|-----------------|------------------------------|-----------------|-------------------------|----------------|-----------------------|----------------|---------------------|----------------|---------------------|----------------|
|                         | LTC2444/LTC2448 | LTC2445/LTC2449 | LTC2444/LTC2449              | LTC2445/LTC2449 | Internal 9MHz clock     | External $f_0$ | Internal 9MHz clock   | External $f_0$ | Internal 9MHz clock | External $f_0$ | Internal 9MHz clock | External $f_0$ |
| 64                      | 23 $\mu$ V      | 23 $\mu$ V      | 17                           | 17              | 3515.6                  | $f_0/2560$     | 28125                 | $f_0/320$      | 3148                | $f_0/5710$     | 1696                | $f_0/5310$     |
| 128                     | 4.5 $\mu$ V     | 3.5 $\mu$ V     | 20.1                         | 20              | 1757.8                  | $f_0/5120$     | 14062.5               | $f_0/640$      | 1574                | $f_0/2860$     | 848                 | $f_0/10600$    |
| 256                     | 2.8 $\mu$ V     | 2 $\mu$ V       | 20.8                         | 21.3            | 878.9                   | $f_0/10240$    | 7031.3                | $f_0/1280$     | 787                 | $f_0/1140$     | 424                 | $f_0/21200$    |
| 512                     | 2 $\mu$ V       | 1.4 $\mu$ V     | 21.3                         | 21.8            | 439.5                   | $f_0/20480$    | 3515.6                | $f_0/2560$     | 394                 | $f_0/2280$     | 212                 | $f_0/42500$    |
| 1024                    | 1.4 $\mu$ V     | 1 $\mu$ V       | 21.8                         | 22.4            | 219.7                   | $f_0/40960$    | 1757.8                | $f_0/5120$     | 197                 | $f_0/4570$     | 106                 | $f_0/84900$    |
| 2048                    | 1.1 $\mu$ V     | 750nV           | 22.1                         | 22.9            | 109.9                   | $f_0/81920$    | 878.9                 | $f_0/1020$     | 98.4                | $f_0/9140$     | 53                  | $f_0/170000$   |
| 4096                    | 720nV           | 510nV           | 22.7                         | 23.4            | 54.9                    | $f_0/163840$   | 439.5                 | $f_0/2050$     | 49.2                | $f_0/18300$    | 26.5                | $f_0/340000$   |
| 8192                    | 530nV           | 375nV           | 23.2                         | 24              | 27.5                    | $f_0/327680$   | 219.7                 | $f_0/4100$     | 24.6                | $f_0/36600$    | 13.2                | $f_0/679000$   |
| 16384                   | 350nV           | 250nV           | 23.8                         | 24.4            | 13.7                    | $f_0/655360$   | 109.9                 | $f_0/8190$     | 12.4                | $f_0/73100$    | 6.6                 | $f_0/1358000$  |
| 32768                   | 280nV           | 200nV           | 24.1                         | 24.6            | 6.9                     | $f_0/1310720$  | 54.9                  | $f_0/16380$    | 6.2                 | $f_0/146300$   | 3.3                 | $f_0/2717000$  |

\*ADC noise increases by approximately  $\sqrt{2}$  when OSR is decreased by a factor of 2 for OSR 32768 to OSR 256. The ADC noise at OSR 128 and OSR 64 include effects from internal modulator quantization noise.

## APPLICATIONS INFORMATION

Example:

If an amplifier (e.g. LT1219) driving the input of an LTC2444/LTC2445/LTC2448/LTC2449 has wideband noise of  $33\text{nV}/\sqrt{\text{Hz}}$ , band-limited to 1.8MHz, the total noise entering the ADC input is:

$$33\text{nV}/\sqrt{\text{Hz}} \cdot \sqrt{1.8\text{MHz}} = 44.3\mu\text{V}.$$

When the ADC digitizes the input, its digital filter filters out the wideband noise from the input signal. The noise reduction depends on the oversample ratio which defines the effective bandwidth of the digital filter.

At an oversample of 256, the noise bandwidth of the ADC is 787Hz which reduces the total amplifier noise to:

$$33\text{nV}/\sqrt{\text{Hz}} \cdot \sqrt{787\text{Hz}} = 0.93\mu\text{V}.$$

The total noise is the RMS sum of this noise with the  $2\mu\text{V}$  noise of the ADC at  $\text{OSR}=256$ .

$$\sqrt{(0.93\mu\text{V})^2 + (2\mu\text{V})^2} = 2.2\mu\text{V}.$$

Increasing the oversample ratio to 32768 reduces the noise bandwidth of the ADC to 6.2Hz which reduces the total amplifier noise to:

$$33\text{nV}/\sqrt{\text{Hz}} \cdot \sqrt{6.2\text{Hz}} = 82\text{nV}.$$

The total noise is the RMS sum of this noise with the 200nV noise of the ADC at  $\text{OSR} = 32768$ .

$$\sqrt{(82\text{nV})^2 + (200\text{nV})^2} = 216\text{nV}.$$

In this way, the digital filter with its variable oversampling ratio can greatly reduce the effects of external noise sources.

### Automatic Offset Calibration of External Buffers/Amplifiers

The LTC2445/LTC2449 enable an external amplifier to be inserted between the multiplexer output and the ADC input. This enables one external buffer/amplifier circuit to be shared between all 17 analog inputs (16 single-ended or 8 differential). The LTC2445/LTC2449 perform an internal offset calibration every conversion cycle in order to remove the offset and drift of the ADC. This calibration is performed through a combination of front end switching and digital processing. Since the external amplifier is placed between the multiplexer and the ADC, it is inside the correction loop. This results in automatic offset correction and offset drift removal of the external amplifier.

The LT1368 is an excellent amplifier for this function. It has rail-to-rail inputs and outputs, and it operates on a single 5V supply. Its open-loop gain is 1M and its input bias current is 10nA. It also requires at least a  $0.1\mu\text{F}$  load capacitor for compensation. It is this feature that sets it apart from other amplifiers—the load capacitor attenuates sampling glitches from the LTC2445/LTC2449 ADCIN terminals, allowing it to achieve full performance of the ADC with high impedance at the multiplexer inputs.

Another benefit of the LT1368 is that it can be powered from supplies equal to or greater than that of the ADC. This can allow the inputs to span the entire absolute maximum of  $\text{GND} - 0.3\text{V}$  to  $V_{\text{CC}} + 0.3\text{V}$ . Using a positive supply of 7.5V to 10V and a negative supply of  $-2.5$  to  $-5\text{V}$  gives the amplifier plenty of headroom over the LTC2445/LTC2449 input range.

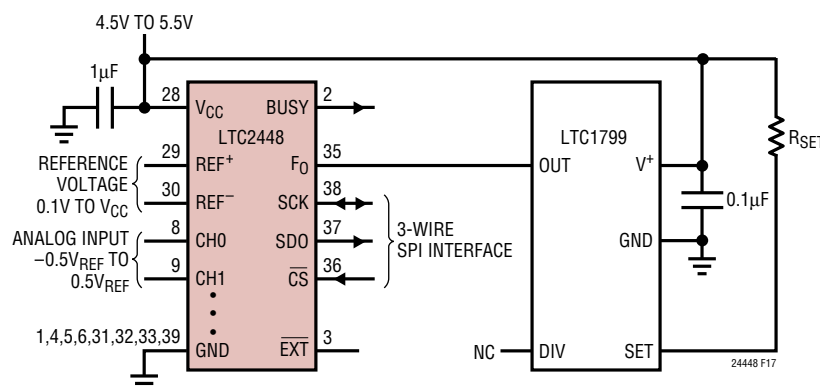
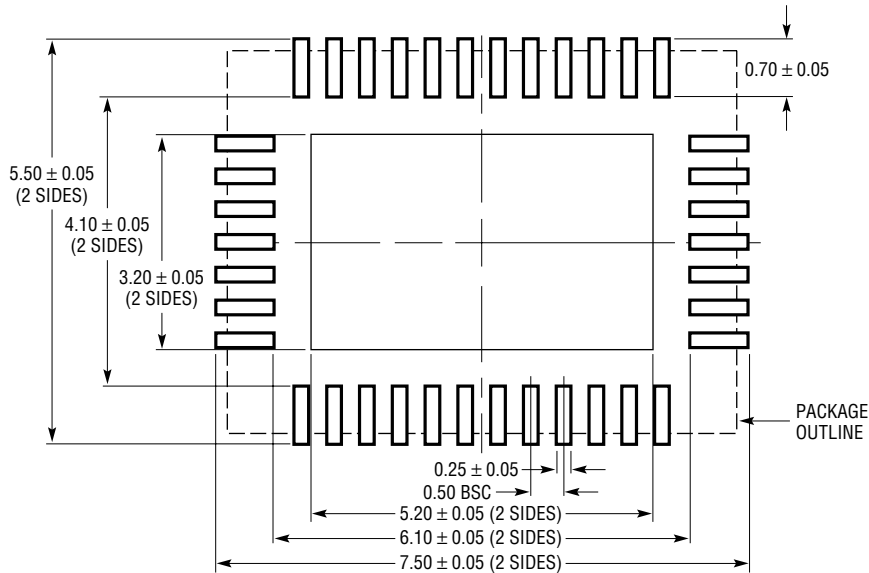


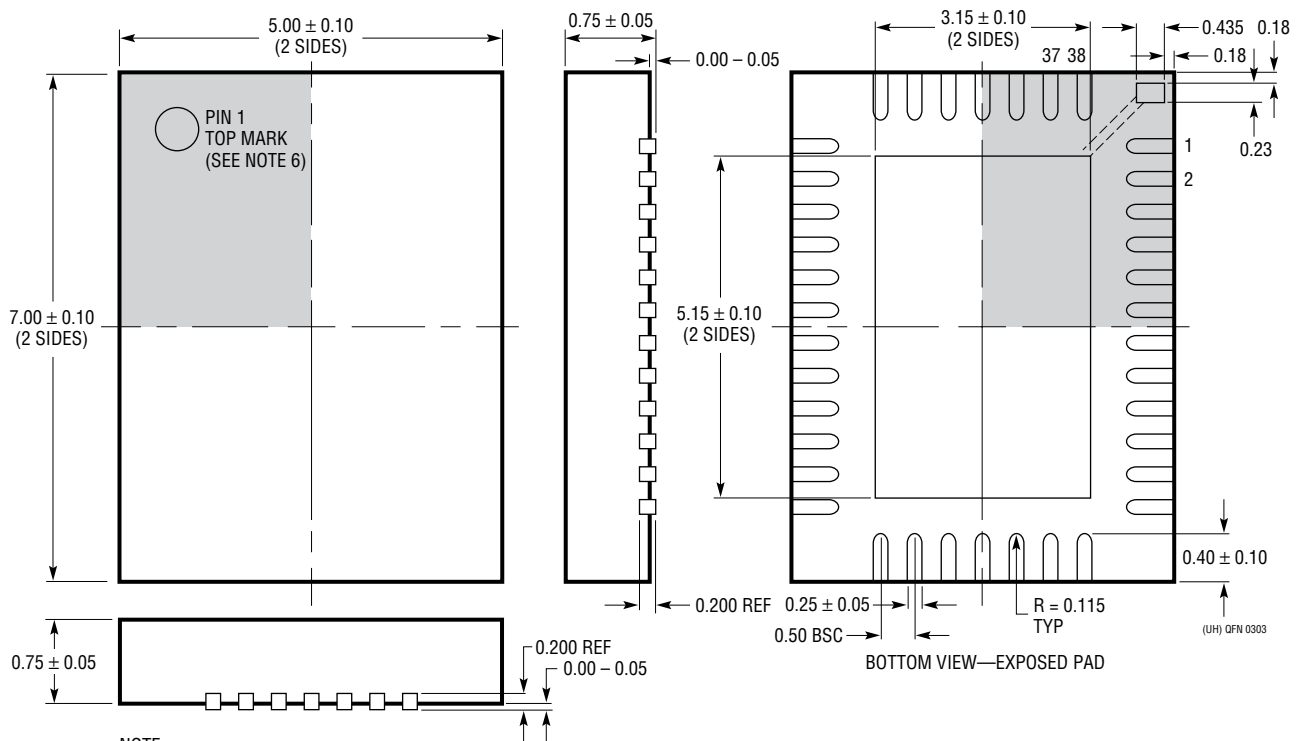
Figure 16. Simple External Clock Source

# PACKAGE DESCRIPTION

**UHF Package**  
**38-Lead Plastic QFN (5mm × 7mm)**  
(Reference LTC DWG # 05-08-1701)



RECOMMENDED SOLDER PAD LAYOUT

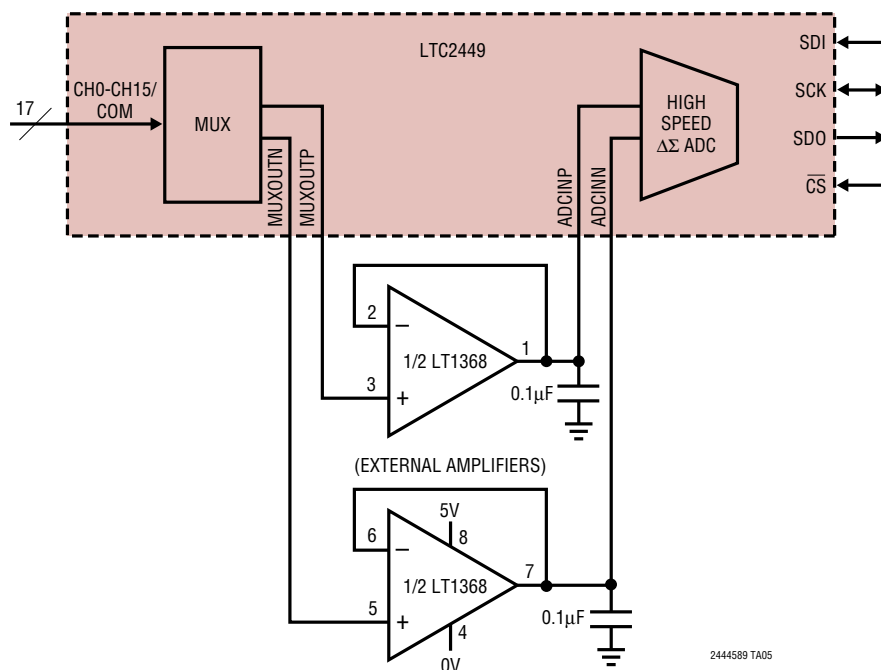


**NOTE:**

1. DRAWING CONFORMS TO JEDEC PACKAGE OUTLINE MO-220 VARIATION WHKD
2. DRAWING NOT TO SCALE
3. ALL DIMENSIONS ARE IN MILLIMETERS
4. DIMENSIONS OF EXPOSED PAD ON BOTTOM OF PACKAGE DO NOT INCLUDE MOLD FLASH. MOLD FLASH, IF PRESENT, SHALL NOT EXCEED 0.20mm ON ANY SIDE
5. EXPOSED PAD SHALL BE SOLDER PLATED
6. SHADED AREA IS ONLY A REFERENCE FOR PIN 1 LOCATION ON THE TOP AND BOTTOM OF PACKAGE

## TYPICAL APPLICATION

External Buffers Provide High Impedance Inputs  
and Amplifier Offsets are Cancelled



## RELATED PARTS

| PART NUMBER     | DESCRIPTION  | COMMENTS  |
|-----------------|--|---|
| LT1025          | Micropower Thermocouple Cold Junction Compensator                              | 80μA Supply Current, 0.5°C Initial Accuracy   |
| LTC1043         | Dual Precision Instrumentation Switched Capacitor Building Block               | Precise Charge, Balanced Switching, Low Power   |
| LTC1050         | Precision Chopper Stabilized Op Amp  | No External Components 5μV Offset, 1.6μV <sub>p-p</sub> Noise   |
| LT1236A-5       | Precision Bandgap Reference, 5V  | 0.05% Max, 5ppm/°C Drift  |
| LT1461          | Micropower Series Reference, 2.5V  | 0.04% Max, 3ppm/°C Max Drift  |
| LTC1592         | Ultraprecise 16-Bit SoftSpan™ DAC  | Six Programmable Output Ranges  |
| LTC1655         | 16-Bit Rail-to-Rail Micropower DAC   | ±1LSB DNL, 600μA, Internal Reference, SO-8  |
| LTC1799         | Resistor Set SOT-23 Oscillator   | Single Resistor Frequency Set   |
| LTC2053         | Rail-to-Rail Instrumentation Amplifier   | 10μV Offset with 50nV/°C Drift, 2.5μV <sub>p-p</sub> Noise 0.01Hz to 10Hz                                     |
| LTC2412         | 2-Channel, Differential Input, 24-Bit, No Latency ΔΣ ADC                       | 0.16ppm Noise, 2ppm INL, 200μA  |
| LTC2415         | 1-Channel, Differential Input, 24-Bit, No Latency ΔΣ ADC                       | 0.23ppm Noise, 2ppm INL, 2X Speed Up  |
| LTC2414/LTC2418 | 4-/8-Channel, Differential Input, 24-Bit, No Latency ΔΣ ADC                    | 0.2ppm Noise, 2ppm INL, 200μA   |
| LTC2430/LTC2431 | 1-Channel, Differential Input, 20-Bit, No Latency ΔΣ ADC                       | 0.56ppm Noise, 3ppm INL, 200μA  |
| LTC2436-1       | 2-Channel, Differential Input, 16-Bit, No Latency ΔΣ ADC                       | 800nV <sub>RMS</sub> Noise, 0.12LBS INL, 0.006LBS Offset, 200μA   |
| LTC2440         | 1-Channel, Differential Input, High Speed/Low Noise, 24-Bit, No Latency ΔΣ ADC | 2μV <sub>RMS</sub> Noise at 880Hz, 200nV <sub>RMS</sub> Noise at 6.9Hz, 0.0005% INL, Up to 3.5kHz Output Rate |

SoftSpan is a trademark of Linear Technology Corporation.